

CareSlope[®]

Portable ramps for wheelchairs





CareSlope ramps

Materials:	Lightweight fiberglass and aluminium. The non-slip surface is made of soft material. The ramps CSE-240 C and CSE-285 C are reinforced with carbon fiber.
Use:	For indoor and outdoor use. ONLY suitable for manual wheelchairs.
Max load:	300 kg.
Visibility:	Reflextape on every corner of the ramp for maximum visibility.
Availability:	All ramps are 70 cm wide and fits small passages.
Maintenance:	Make simple repairs with spareparts yourself.

Adaptation table:

CareSlope ramps	Inclination: 5° Step height in cm Very little help needed	Inclination: 8° Step height in cm Little help needed	Inclination: 10° Step height in cm Help needed	Inclination: 15° Step height in cm A lot of help needed
CSE-65	5 cm	9 cm	11 cm	15 cm
CSE-100	8 cm	13 cm	17 cm	24 cm
CSE-120	10 cm	16 cm	20 cm	30 cm
CSE-150	13 cm	20 cm	25 cm	37 cm
CSE-175	15 cm	24 cm	30 cm	43 cm
CSE-200	17 cm	27 cm	34 cm	50 cm
CSE-240 C	20 cm	33 cm	41 cm	60 cm
CSE-285 C	24 cm	39 cm	49 cm	73 cm

Use the ramp that is 4 times as long as the step height.

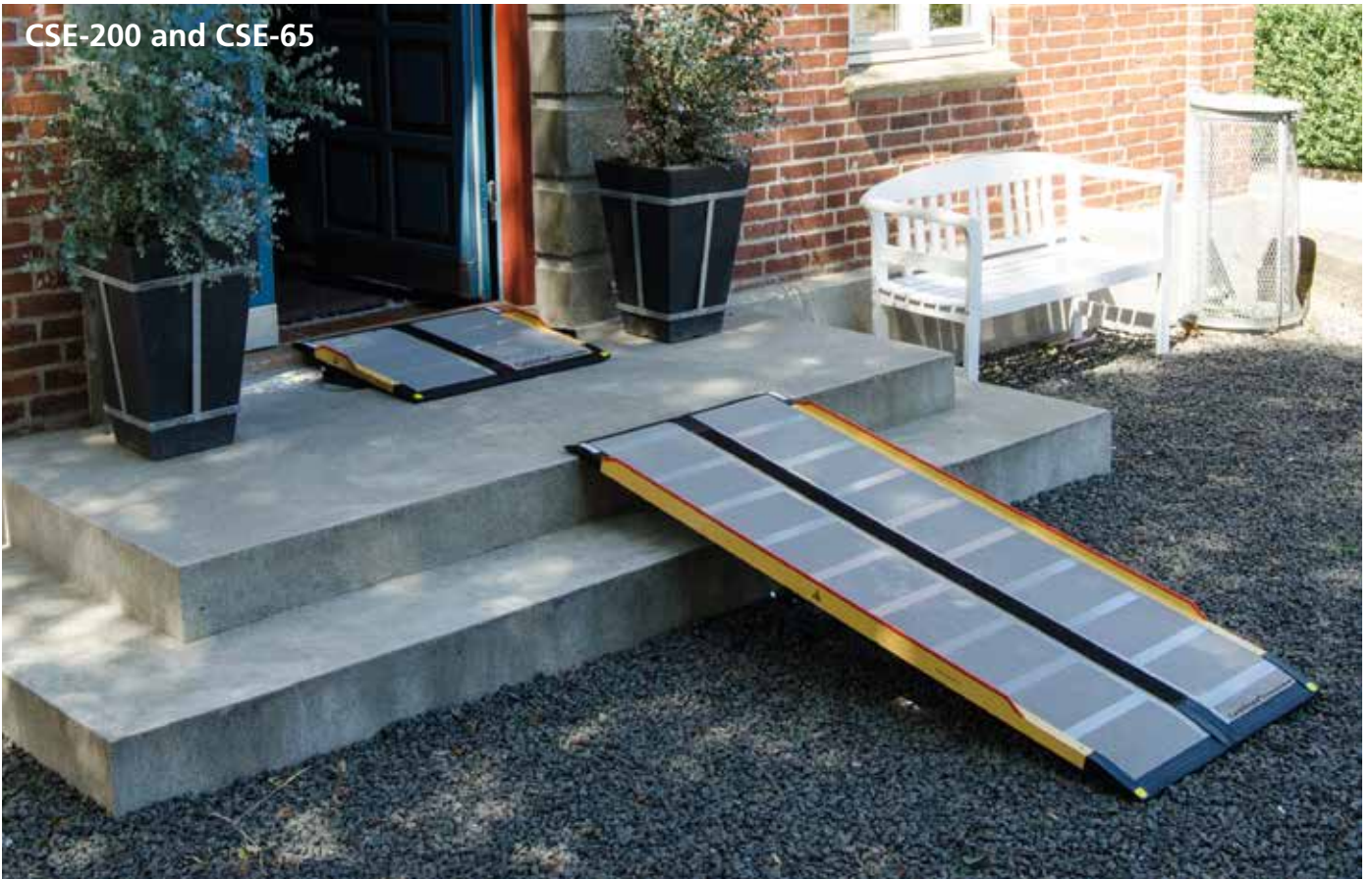
CareSlope prices:

Ramps	Kerbs height	Lenght x width	Weight	Package height
CSE-65	2,5 cm	65 cm x 70 cm	3 kg	10 cm
CSE-100	2,5 cm	100 cm x 70 cm	5 kg	10 cm
CSE-120	2,5 cm	120 cm x 70 cm	6 kg	10 cm
CSE-150	2,5 cm	150 cm x 70 cm	8 kg	11,5 cm
CSE-175	2,5 cm	175 cm x 70 cm	9 kg	11,5 cm
CSE-200	2,5 cm	200 cm x 70 cm	10 kg	11,5 cm
CSE-240 C	2,5 cm	240 cm x 70 cm	12 kg	11,5 cm
CSE-285 C	3,5 cm	285 cm x 70 cm	15 kg	13 cm

CARESLOPE IN USE



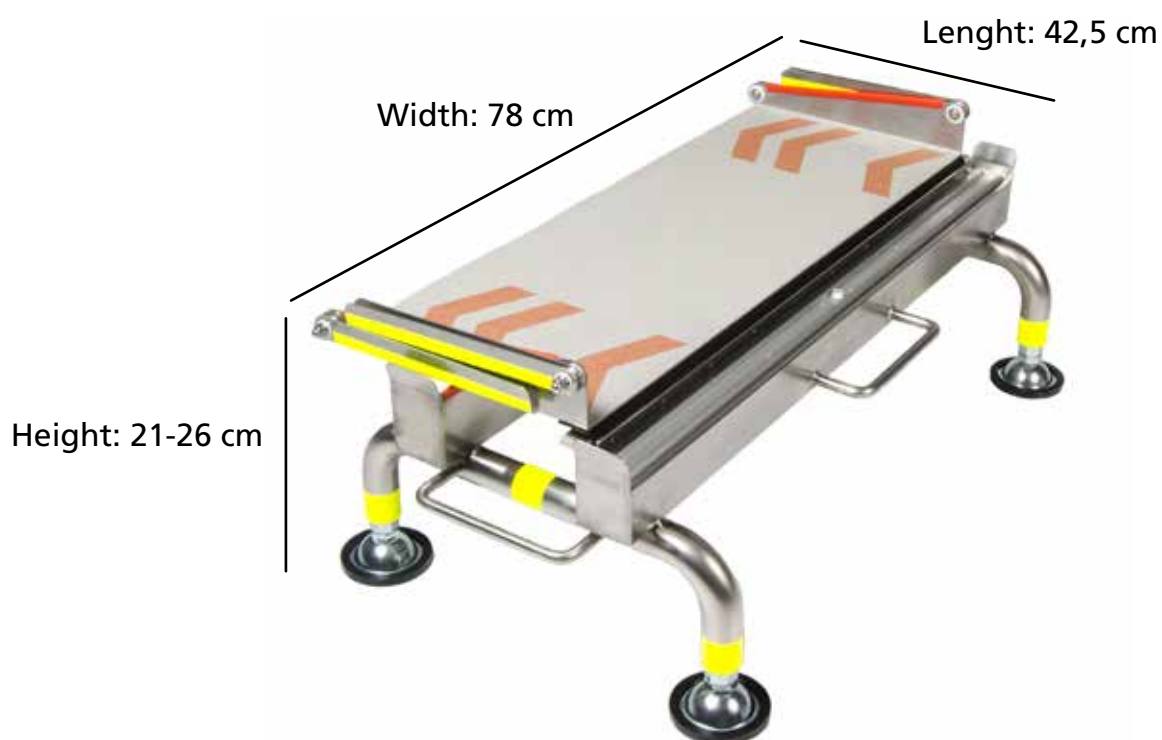
CSE-200 and CSE-65



CSE-100 and CSE-65



CARESLOPE® M



CareSlope M

Use:	For indoor and outdoor use. ONLY suitable for manual wheelchairs.
Max load:	300 kg.
Visibility:	Reflextape on every corner of the ramp for maximum visibility.
Adaptation:	Adaptable for 80 cm step height.
Combination:	Ramp CSE-150 - CSE-285 C can be combined optionally.



Size and price for midway repos:

Name	Item no.	Weight	Materials
Midway repos	CSE-M	ca. 12 kg	Stainless steel, aluminium



excellent-ramp.com



sales@ex-as.com



Møllevvej 2 - 8544 Mørke - DK



+45 86377133



Products designed, patented and produced in Japan by Care-Medics
Distributed by Excellent Systems A / S

Reproduction of "CareSlope brochure 2023", is only allowed with express written consent of the Marketing Department, Excellent Systems A/S.