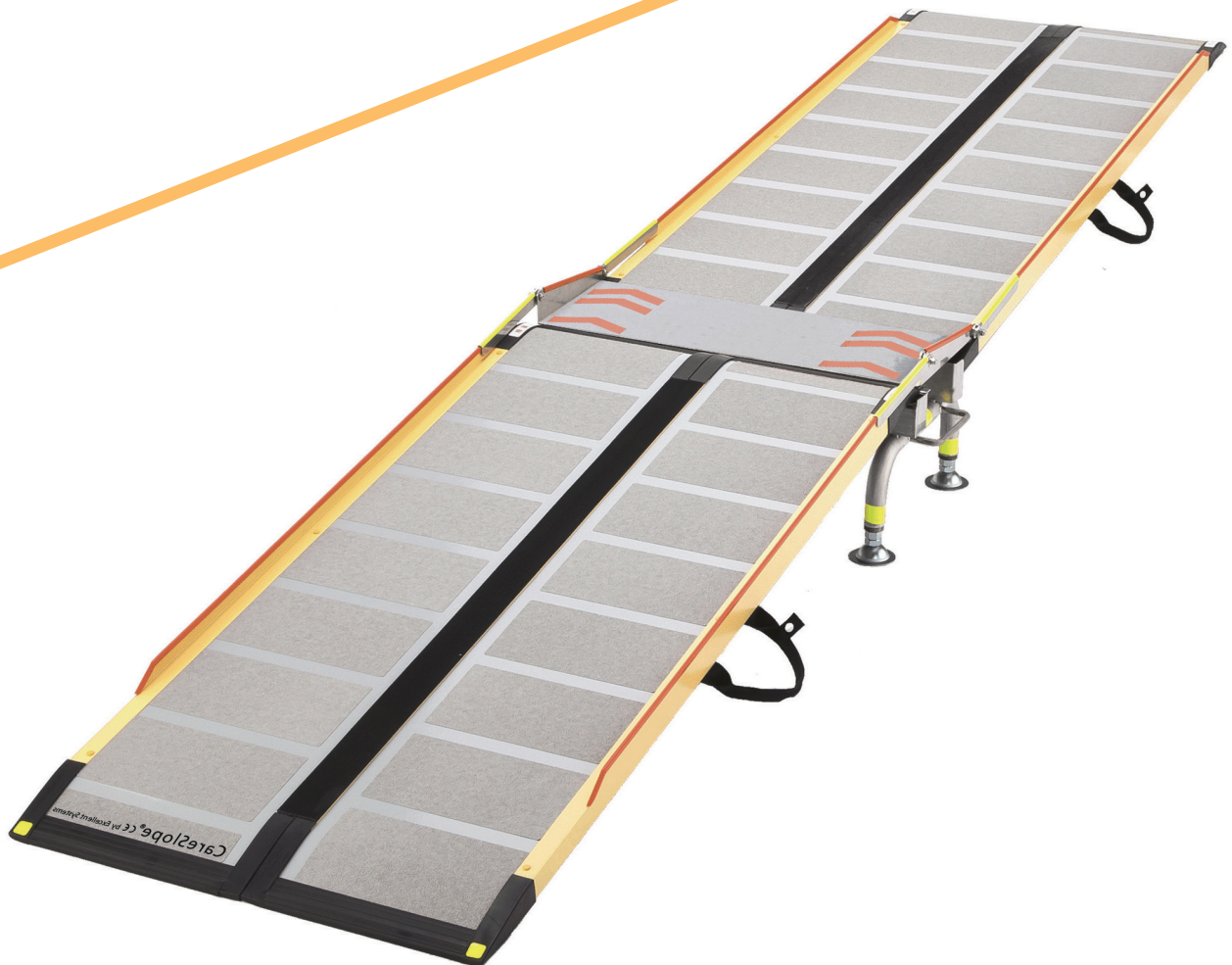
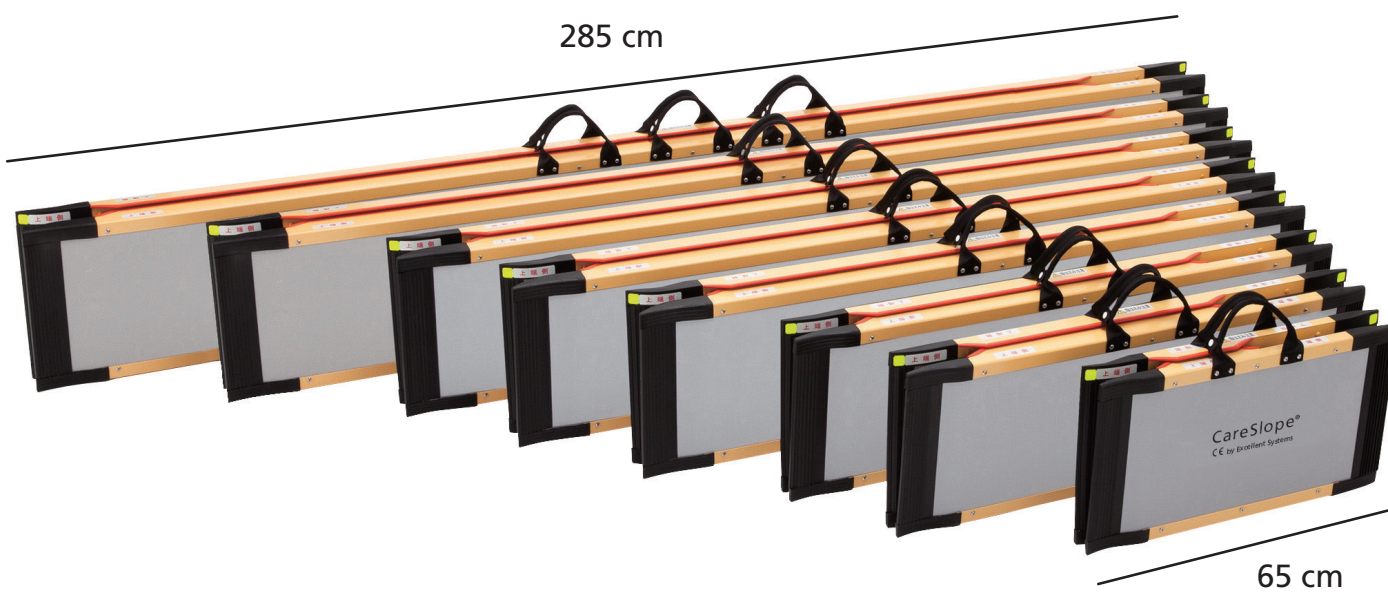


CareSlope®

Safety instructions



CARESLOPE® RAMPS



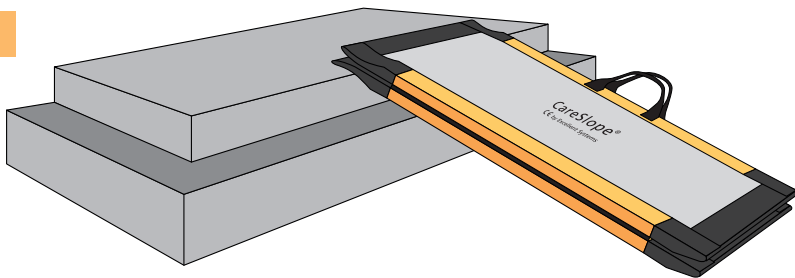
Adaptation table:

Total length	Article no.	Inclination: 8°	Inclination: 10°	Inclination: 15°
		Step height in cm Little help needed	Step height in cm Help needed	Step height in cm A lot of help needed
65 cm	CSE-65	9 cm	11 cm	15 cm
100 cm	CSE-100	13 cm	17 cm	24 cm
120 cm	CSE-120	16 cm	20 cm	30 cm
150 cm	CSE-150	20 cm	25 cm	37 cm
175 cm	CSE-175	24 cm	30 cm	43 cm
200 cm	CSE-200	27 cm	34 cm	50 cm
240 cm	CSE-240 C	33 cm	41 cm	60 cm
285 cm	CSE-285 C	39 cm	49 cm	73 cm

Use the ramp that is 4 times as long as the step height.

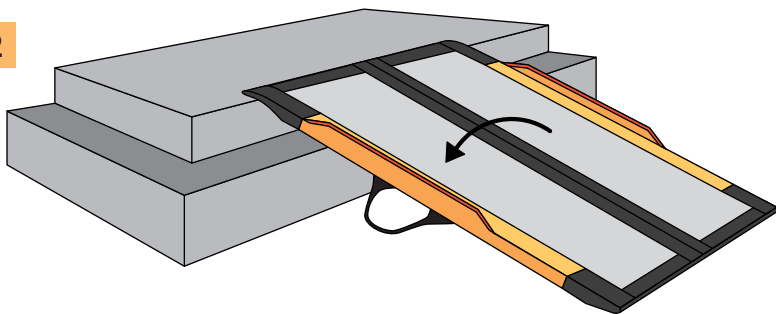
INSTRUCTIONS

1



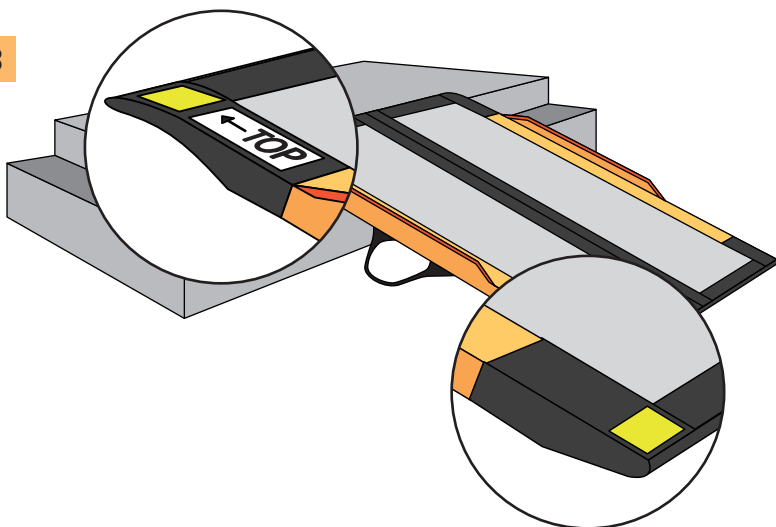
Place the ramp on the Staircase.

2

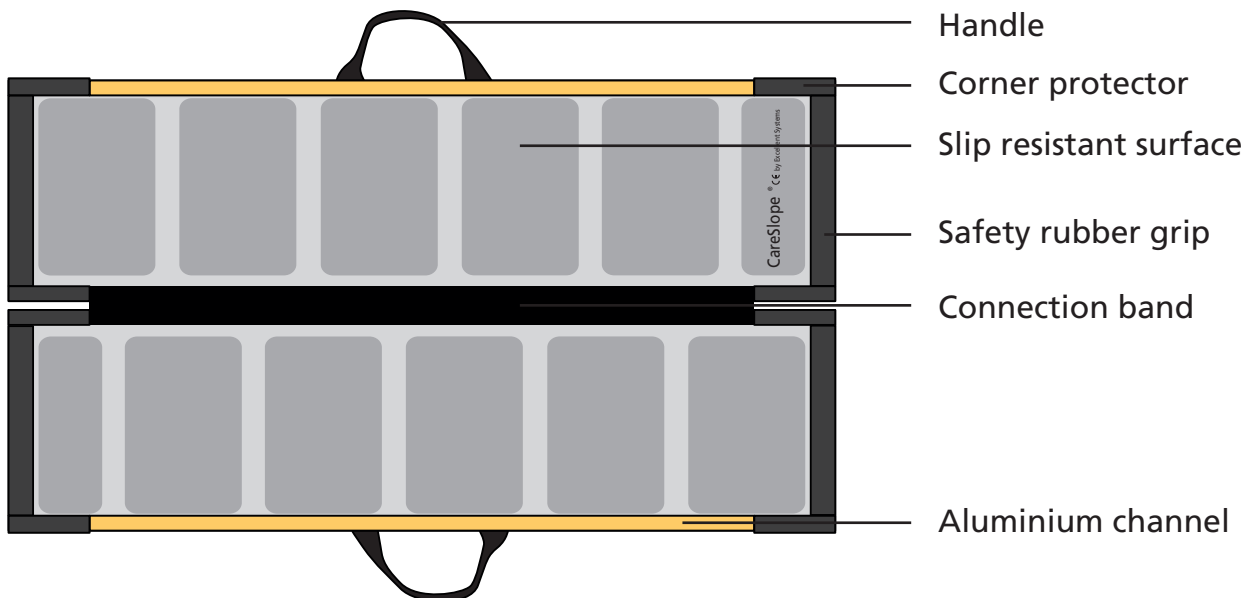


Fold out the ramp.

3



Look at the shape of the ramp and the markings and make sure that it turns the right direction.



Handle

Corner protector

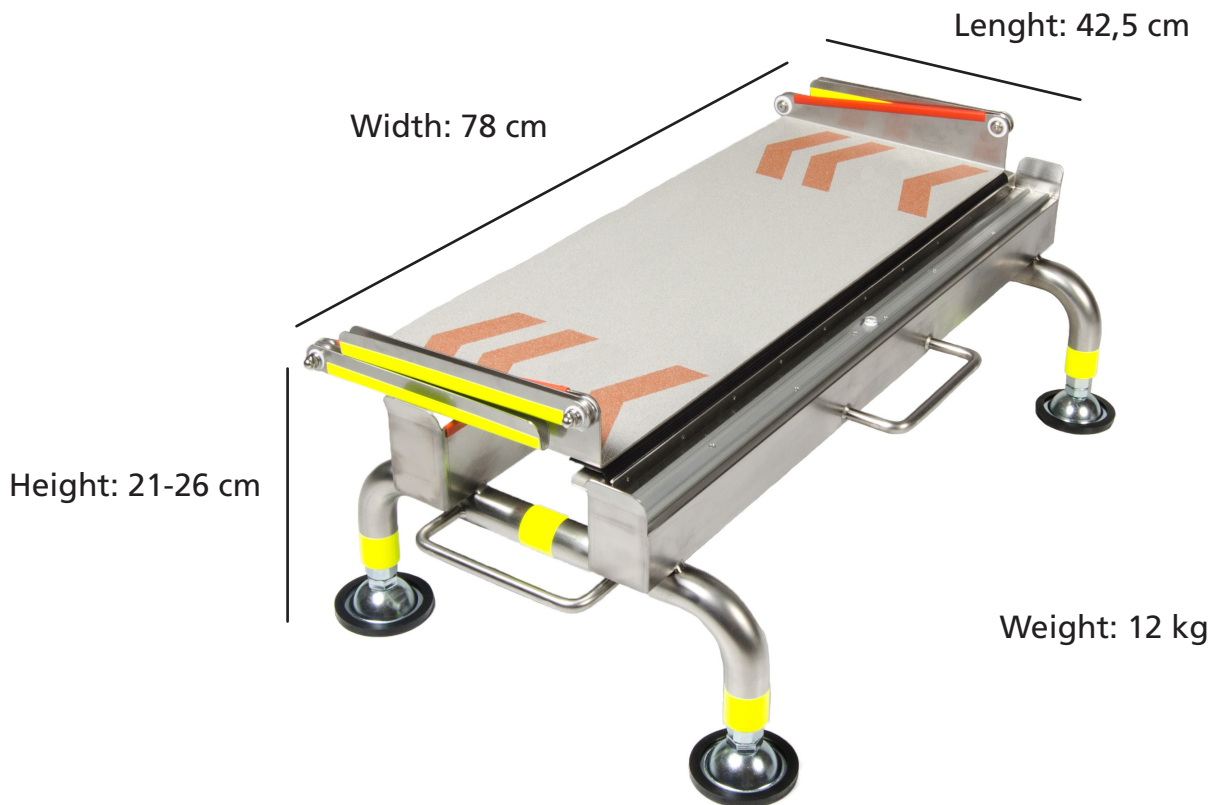
Slip resistant surface

Safety rubber grip

Connection band

Aluminium channel

CARESLOPE® MIDWAY REPOS



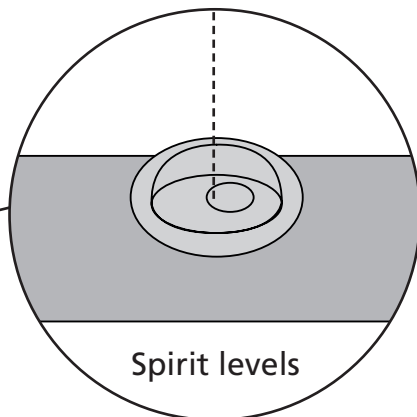
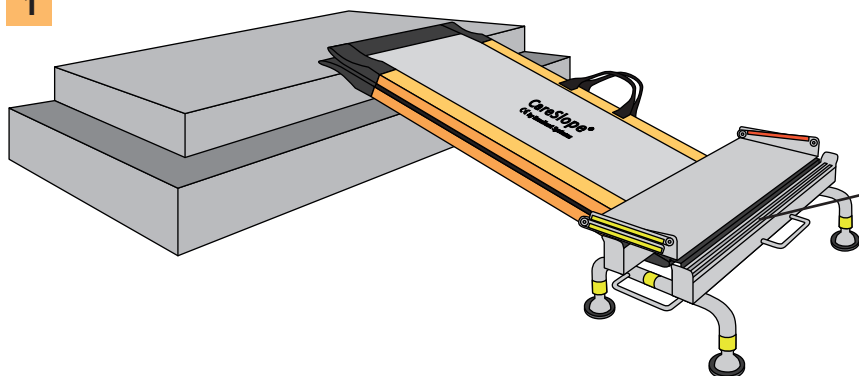
Guiding table for combinations of ramps and step heights:

Upper CSE fit step heights: Lower CSE fit step heights:		CSE-150	CSE-175	CSE-200	CSE-240 C	CSE-285 C
		38 cm (8°) ~ 53 cm (12°)	41 cm (8°) ~ 58 cm (12°)	44 cm (8°) ~ 63 cm (12°)	50 cm (8°) ~ 71 cm (12°)	56 cm (8°) ~ 81 cm (12°)
CSE-150	21 cm (8°) ~ 26 cm (10°)	CSM-300	CSM-325	CSM-350	CSM-390	CSM-435
CSE-175	21 cm (7°) ~ 26 cm (9°)	CSM-325	CSM-350	CSM-375	CSM-415	CSM-460
CSE-200	21 cm (6°) ~ 26 cm (8°)	CSM-350	CSM-375	CSM-400	CSM-440	CSM-485
CSE-240 C	21 cm (5°) ~ 26 cm (6°)	CSM-390	CSM-415	CSM-440	CSM-480	CSM-525
CSE-285 C	21 cm (4°) ~ 26 cm (5°)	CSM-435	CSM-460	CSM-485	CSM-525	CSM-570

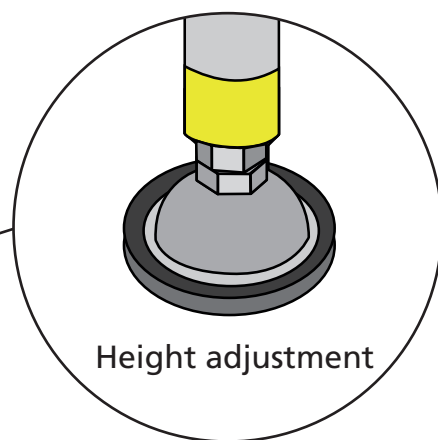
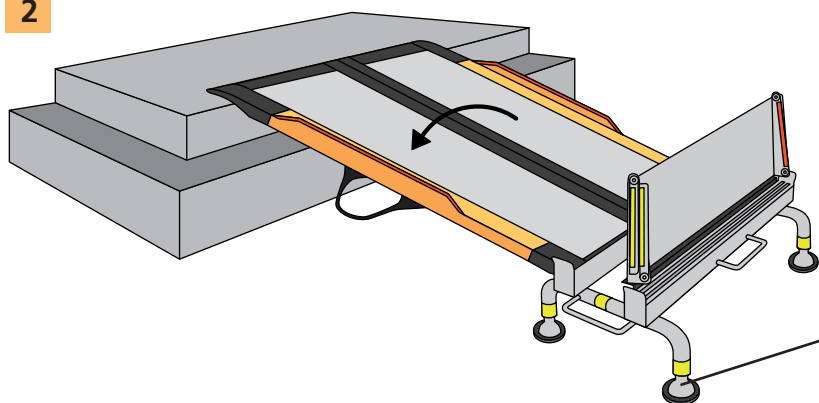
Ramp CSE-150 to CSE-285 C can be combined optionally.
Use **ONLY** CareSlope ramps in combination with the midway repos.

INSTRUCTIONS

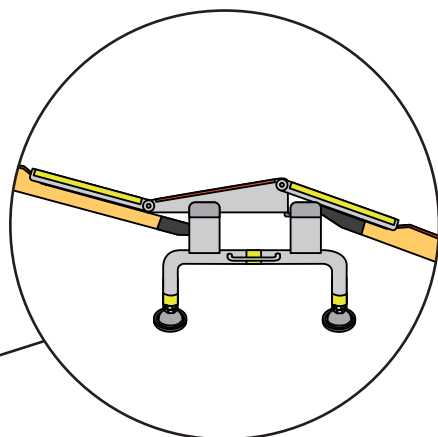
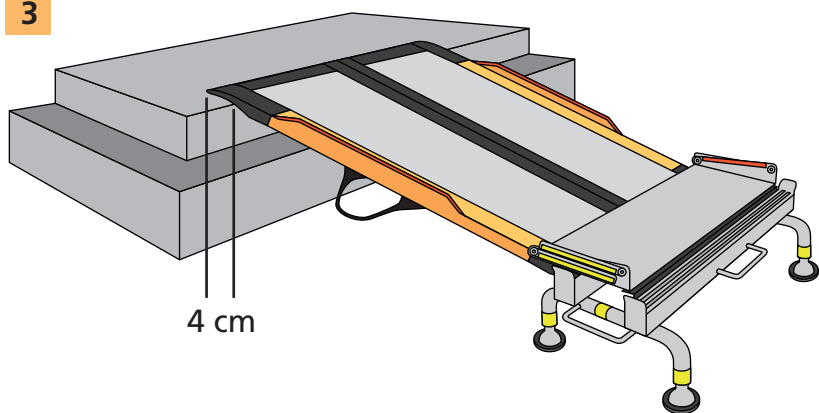
1



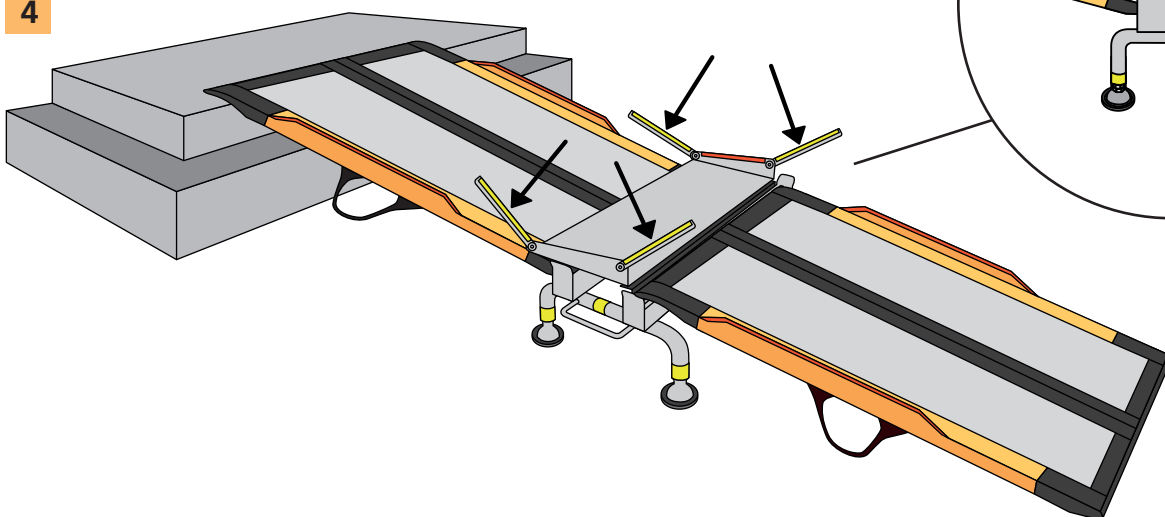
2



3



4



CARESLOPE® PRODUCTS SAFETY INSTRUCTIONS

Max load: Max 300 kg.

We recommend that you **ONLY** use manual wheelchairs with a helper on the CareSlope products.
Do **NOT** use CareSlope products for anything else than moving people.

Materials: CareSlope ramps: Lightweight fiberglass and aluminium.
The ramps CSE-240 C and CSE-285 C are reinforced with carbon fiber.
Midway repos: Stainless steel, aluminium.
Both CareSlope ramps and midway repos have non-slip surface.

Visibility: There is reflecttape on every corner of all CS products for maximum visibility, but do not use them in dark places.

Adaptation: Do not use CS ramps on higher steps than recommended. See page 2.
Midway repos can be adjusted to a maximum height of 80 cm.

Always pay attention to local safety regulations.

Installation: CS products can be used both indoor and outdoor.
CS products have to be placed on level surfaces without sand, snow, ice or similar slippery or insecure surfaces.

Check the product regularly to detect defects or wear.
Make sure that the ramp is turned correctly. The “top” label must turn upwards. Make sure that the top of the CS ramps lies 4 cm above the contact surface of the step and that the CS ramp base or the repos are fixed.

Use: For safety reasons, check all parts before use.
Use the handles to carry the CS products, and when opening/closing the ramp, to prevent crushing hazard.

The helpers shoes must have non-slip soles. Avoid sharp shoes or objects on CS ramps and repos as these can damaged the surface easily.

Drive the front wheels straight onto the CS ramp and check if the CS ramp is steadily mounted. Also check both sides of the CS ramp. Do not drive vertically over the ramp as this may cause the wheelchair’s wheels to skew and may cause the wheelchair to topple.



Do not suddenly stop or change direction on the ramp. Do not damage the ramp by dropping things or jumping on it.
Make sure that the hand rim of the wheelchair does not hit the aluminium side channels of the ramp.

The wheelchair must be driven backwards down with a helper in front. The helper must be placed in a lower position than the wheelchair, as the helper can support the wheelchair better this way.

Do not leave the ramp in the sun for a long time when using the ramp outside.

Storage:

Store the CS products and repos indoor and keep them clean. Do not store CS products at temperatures above 70°C as the quality of rubber lists or soft materials may deteriorate.

Do not store in places with hard climates or high humidity as the quality of the handles or ties may deteriorate or fade.

Do not store the ramp standing in a vertical position after use.

Cleaning:

For easy cleaning: rinse with water and use a soft brush.
For thorough cleaning: Use common neutral detergents.
Do not use strong acids, alkaline detergents, ozone sterilization or steam wash. The metal parts can rust and the soft parts can be impaired.

Warranty:

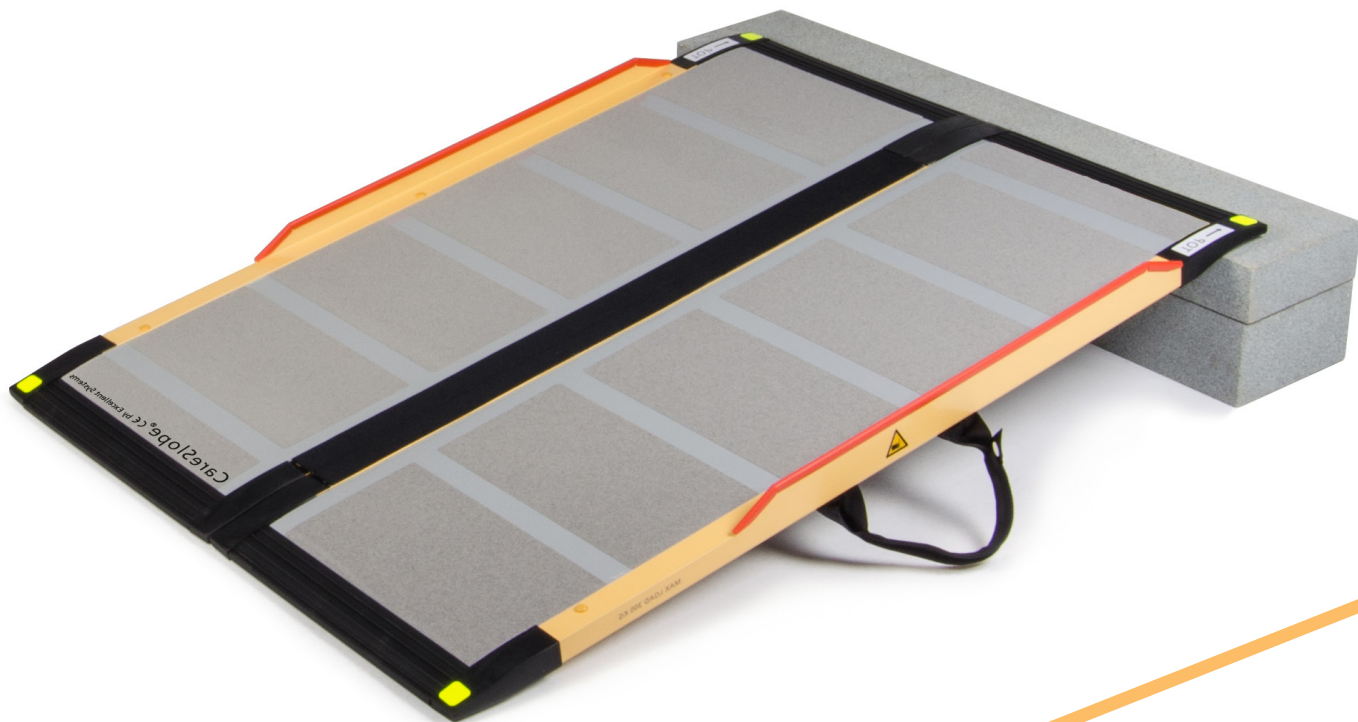
If the CS products cracks in spite of proper use (according to safety instructions and warning labels), we repair under warranty without costs. Products modified after purchase is out of warranty. The warranty is valid 2 years after purchase date and covers only repair costs.

Contact the dealer where you purchased the CS product and please refer to warranty repair. Please, bring the original invoice with you.

You can easily replace several parts yourself. Contact us for more information.

Disposal:

CareSlope ramps and repos are Cradle to Cradle products. They can be returned to Excellent Systems A/S who will take care of disposal and recycling of the products.



www.ex-as.com



info@ex-as.com



Møllevvej 2 - 8544 Mørke - DK



+45 86377133



Products designed, Pat. Pend. and produced in Japan by Care-Medics
Distributed by Excellent Systems A/S