

RAMP KIT 1 PLATFORM

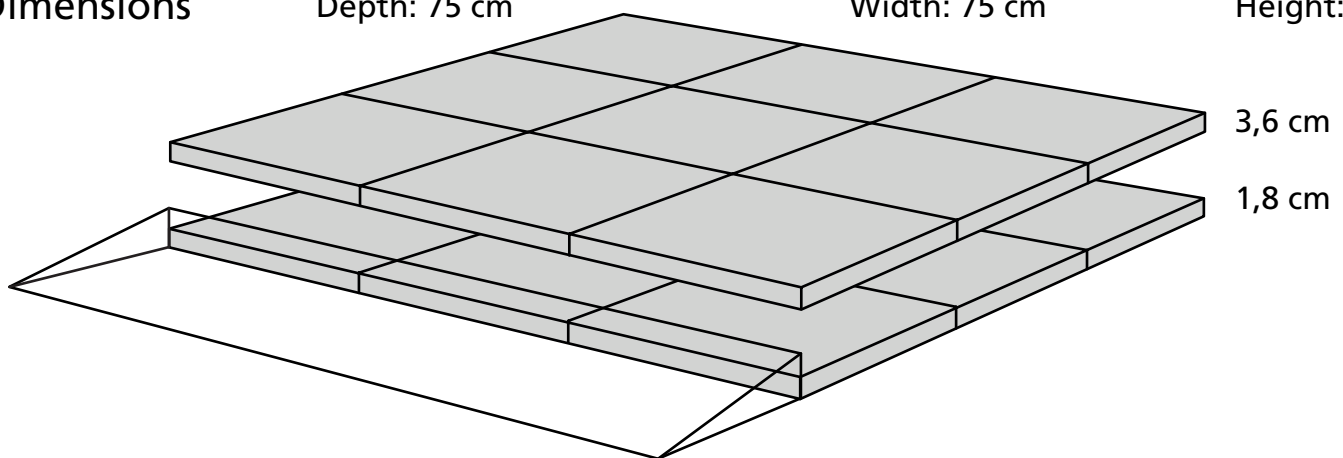


Dimensions

Depth: 75 cm

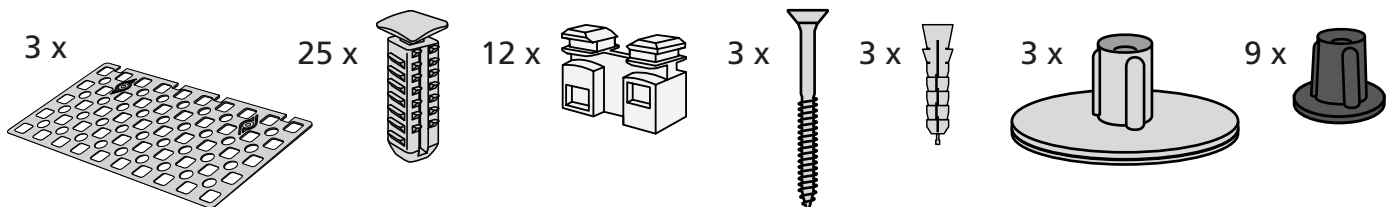
Width: 75 cm

Height:



Build together with the Ramp Kit 1, the height can be adjusted up to 5,2 cm

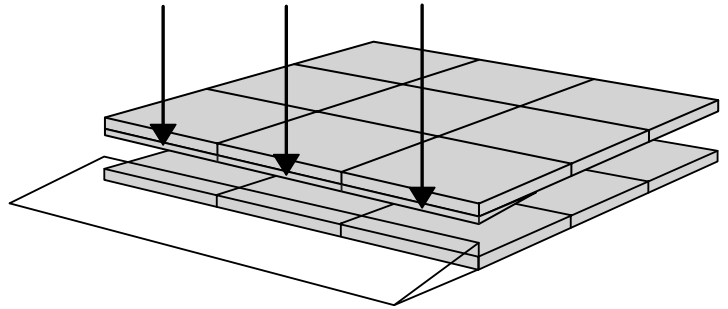
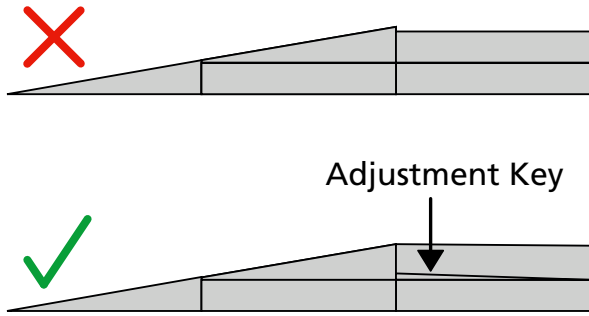
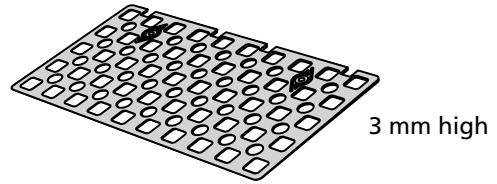
Included



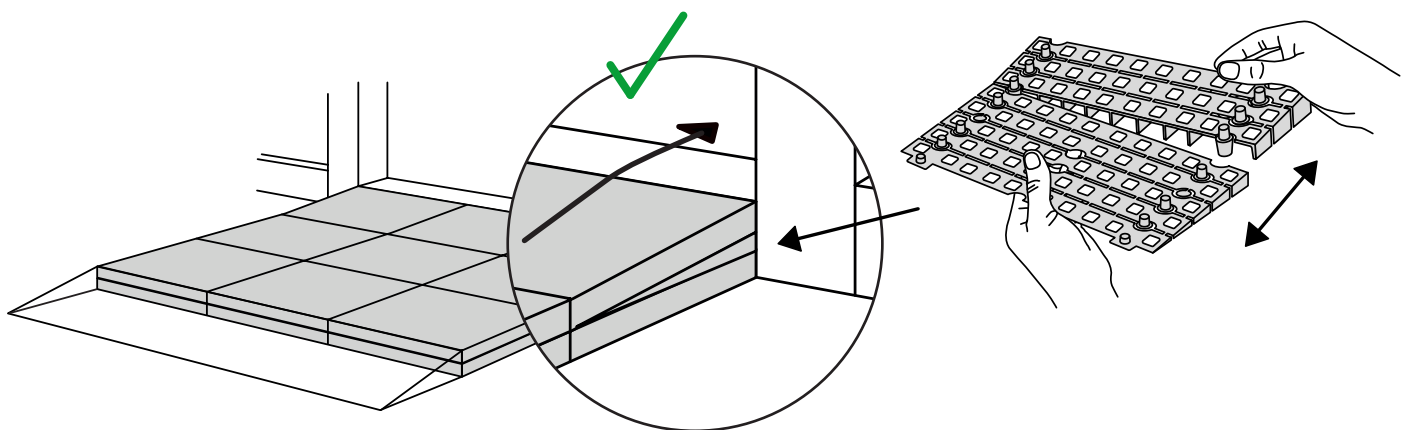
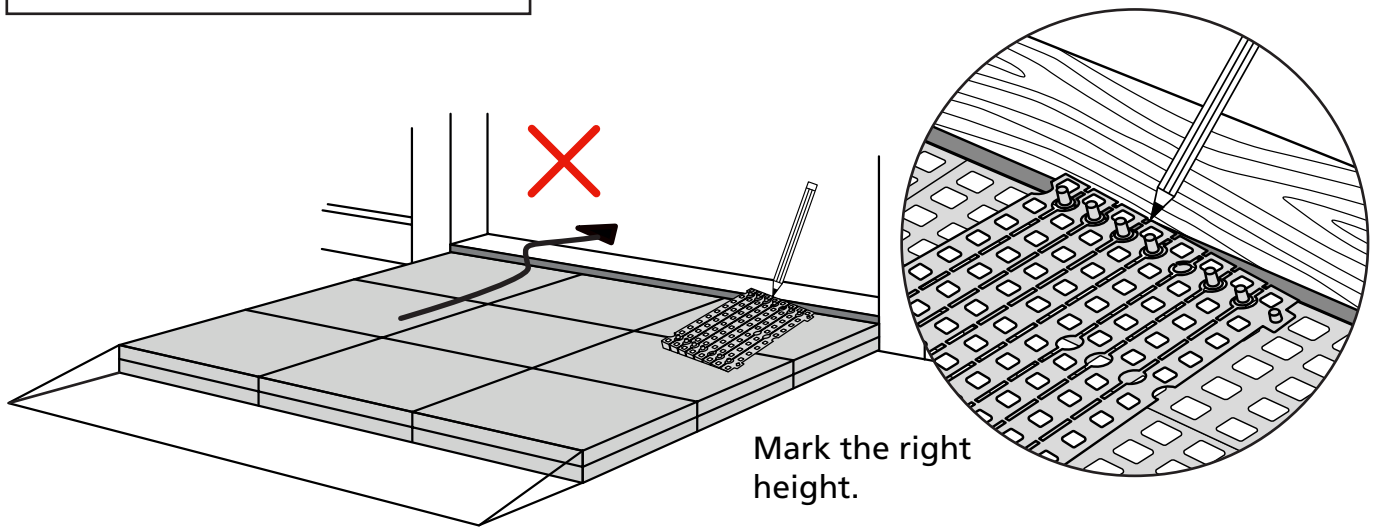
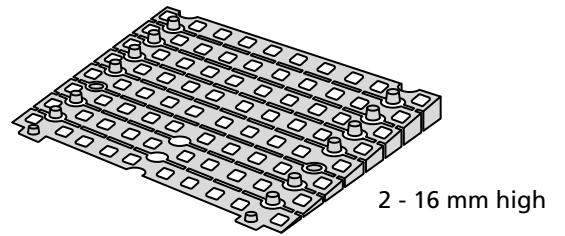
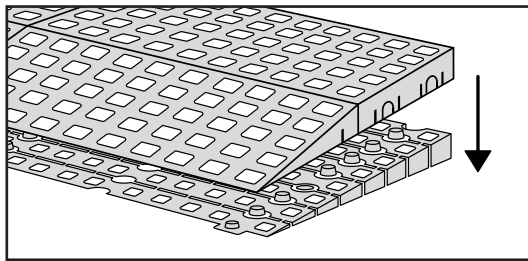
Mounted under the platform

HEIGHT ADJUSTMENTS

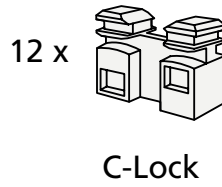
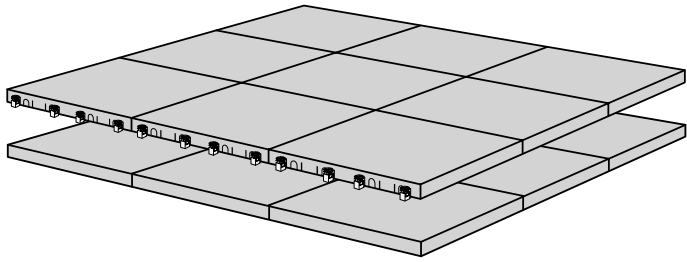
The Adjustment Key equalizes the height difference between platform and ramp.



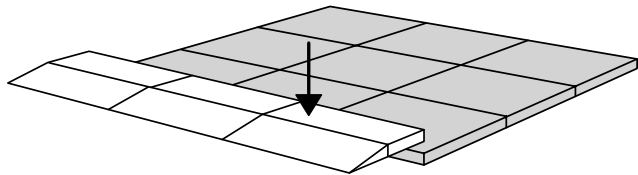
When you connect a **platform** and a **ramp**, remove the **Ramp Adjuster** from the ramp, and use it to adjust the platform as shown here:



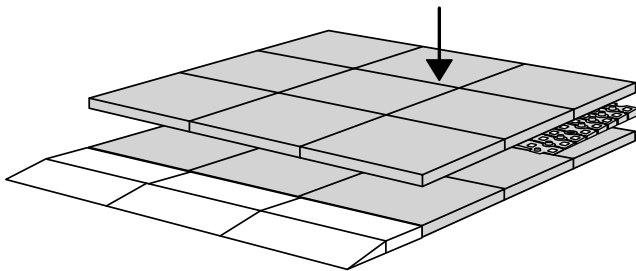
MOUNTING WITH LOCKS



How to connect KIT and Platform:

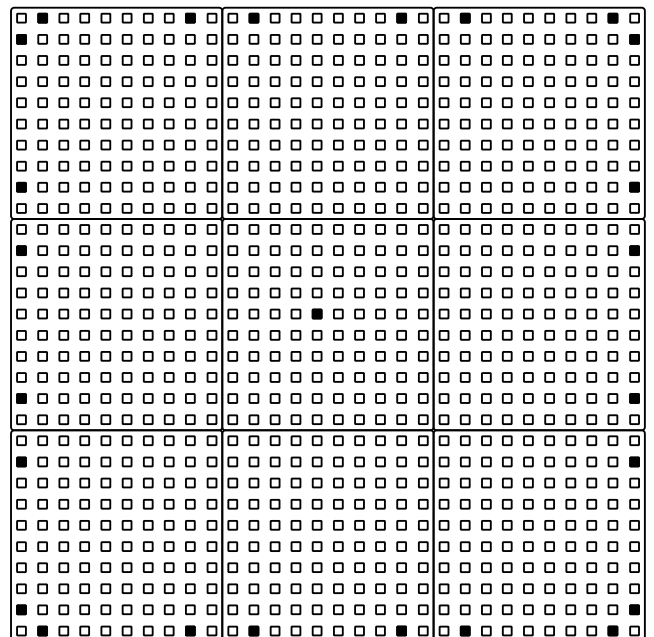
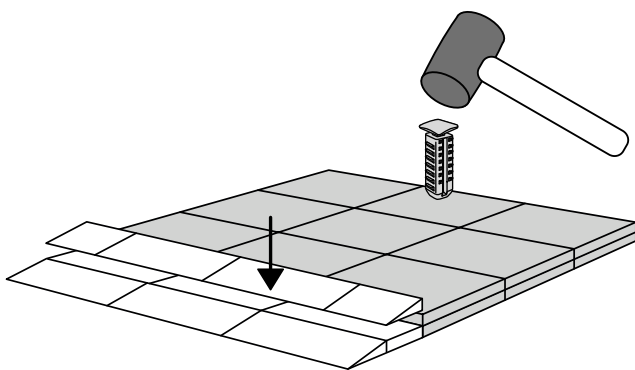
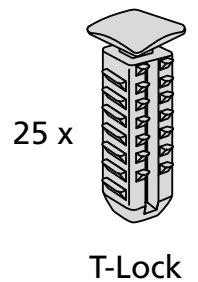


Locks in Ramp KIT:
See KIT instruction for placement of Locks in the Ramp KIT.

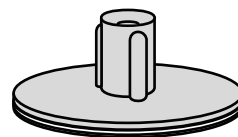


Locks in platform:
S-Lock is mounted on the top layer.

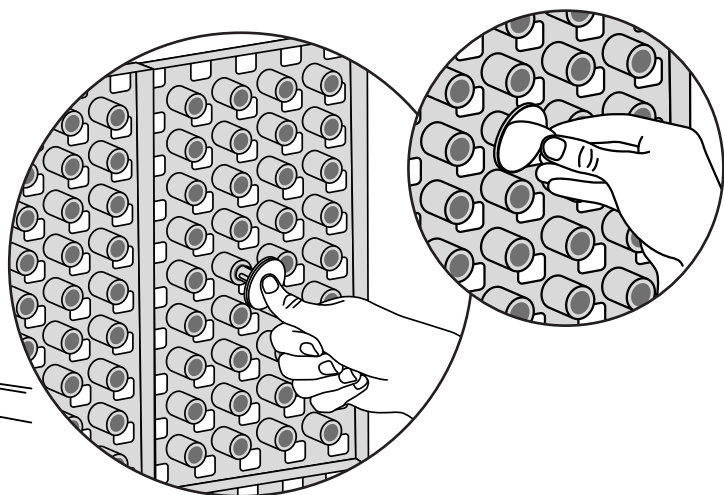
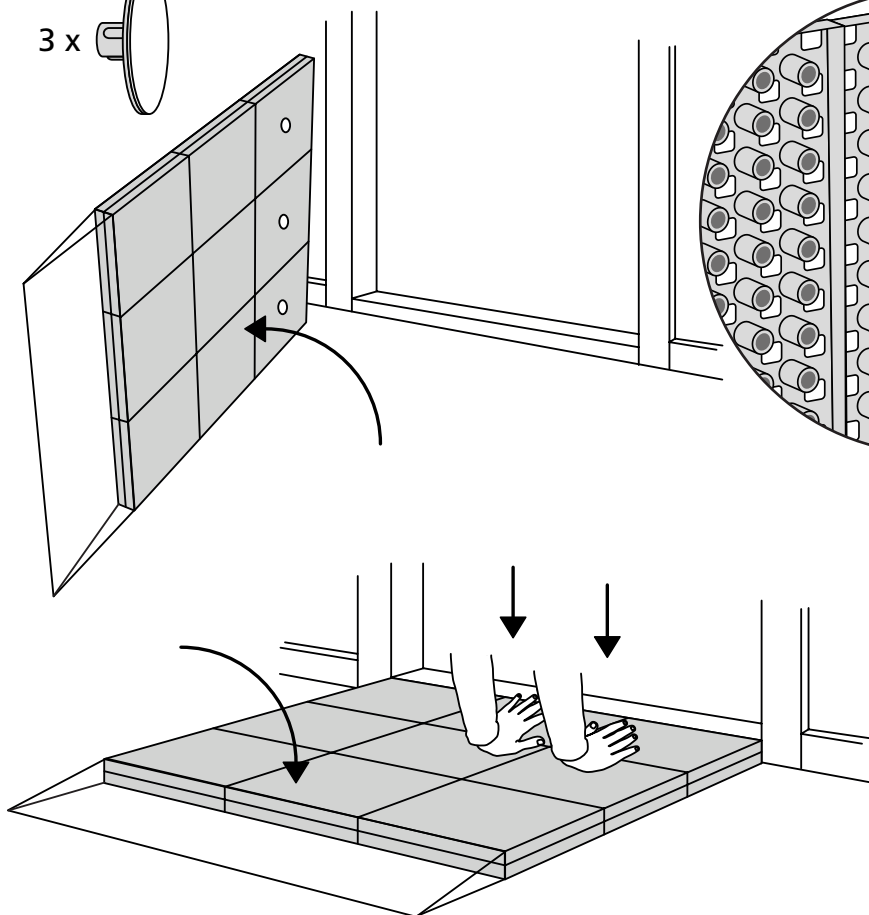
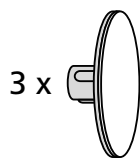
Use rubber hammer (Not included)



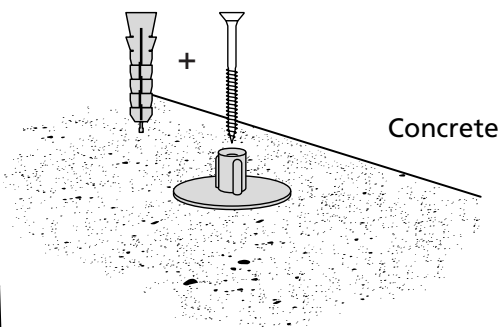
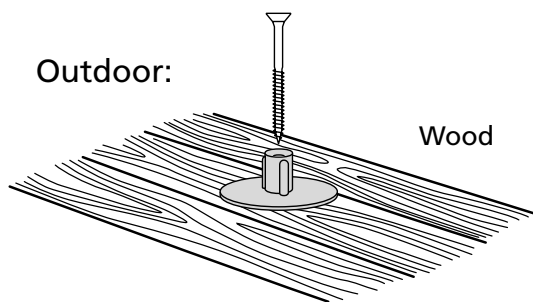
FASTENING WITH MOUNTING PADS



Indoor:



Outdoor:



MOUNTING WITH STOPPERS

