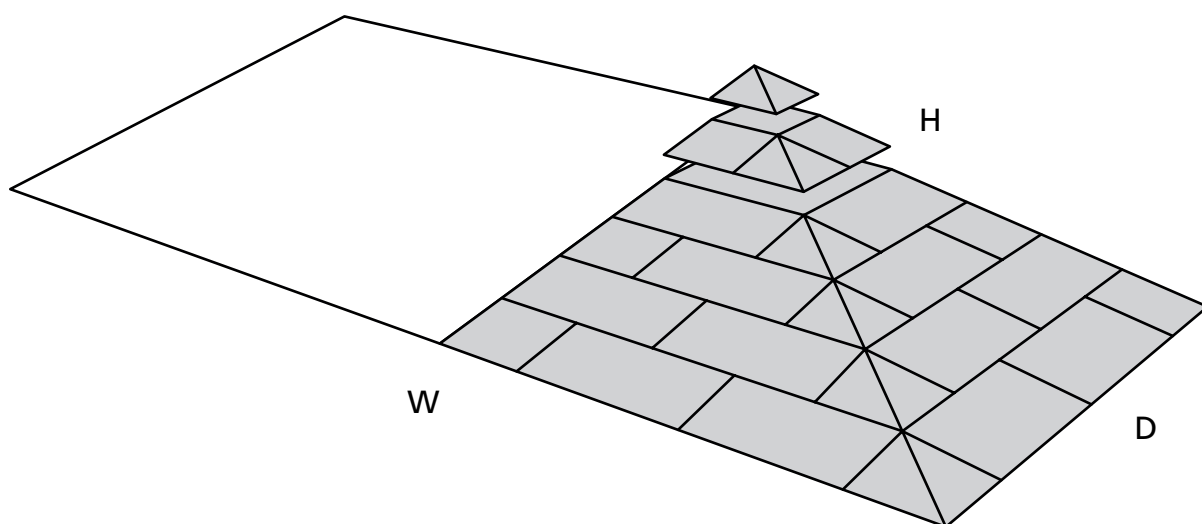


RAMP KIT 3 CORNER

Height: 7,2 - 12,7 cm

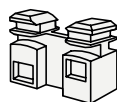
Width: 75 cm

Depth: 75 cm



Included

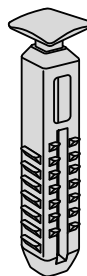
15 x



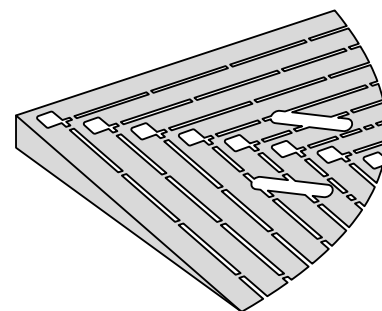
10 x



1 x



1 x

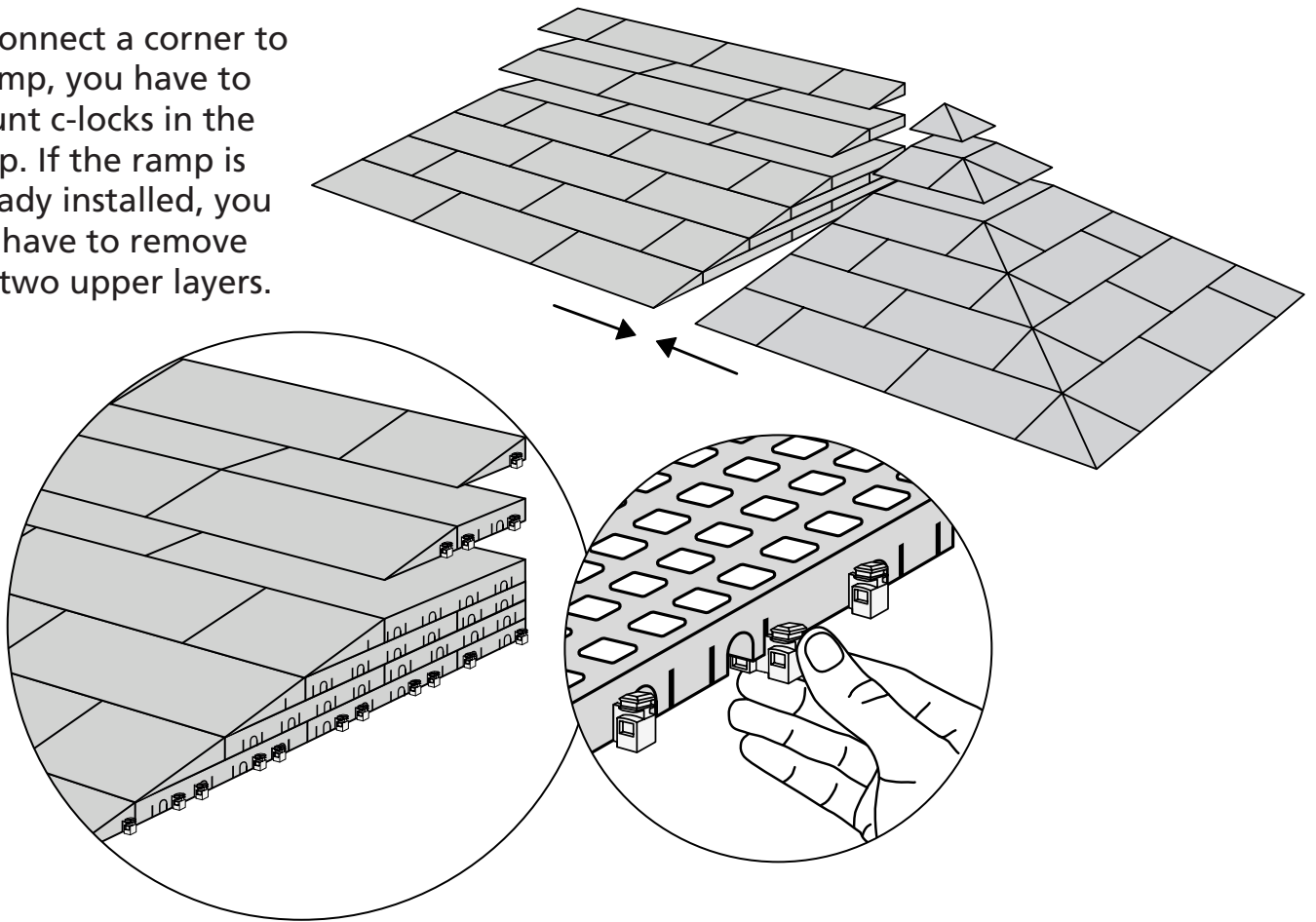


Danish Design Pat. Pend. and produced
in Denmark by Excellent Systems A/S



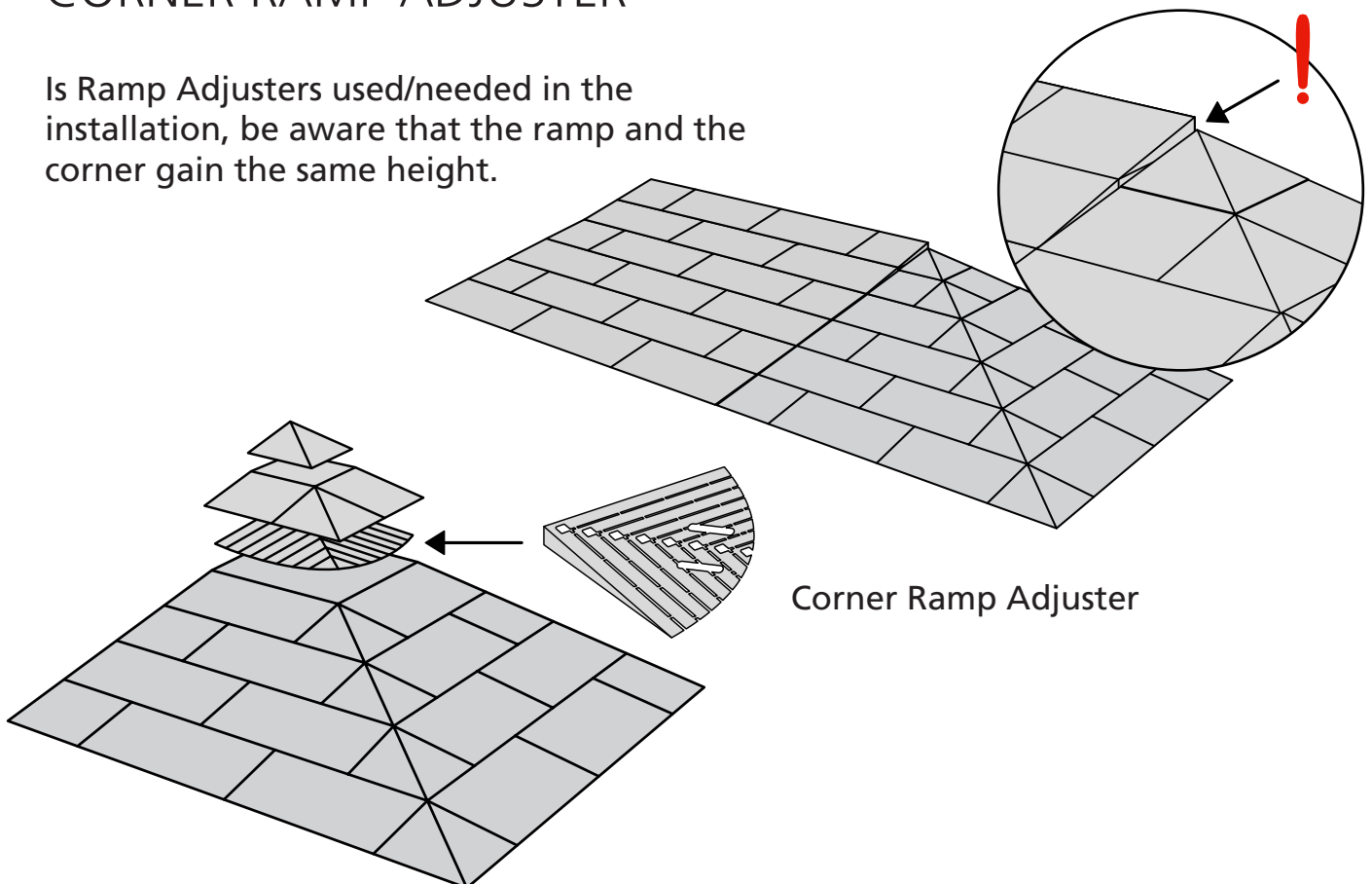
MOUNTING OF C-LOCKS ON THE RAMP

To connect a corner to a ramp, you have to mount c-locks in the ramp. If the ramp is already installed, you will have to remove the two upper layers.

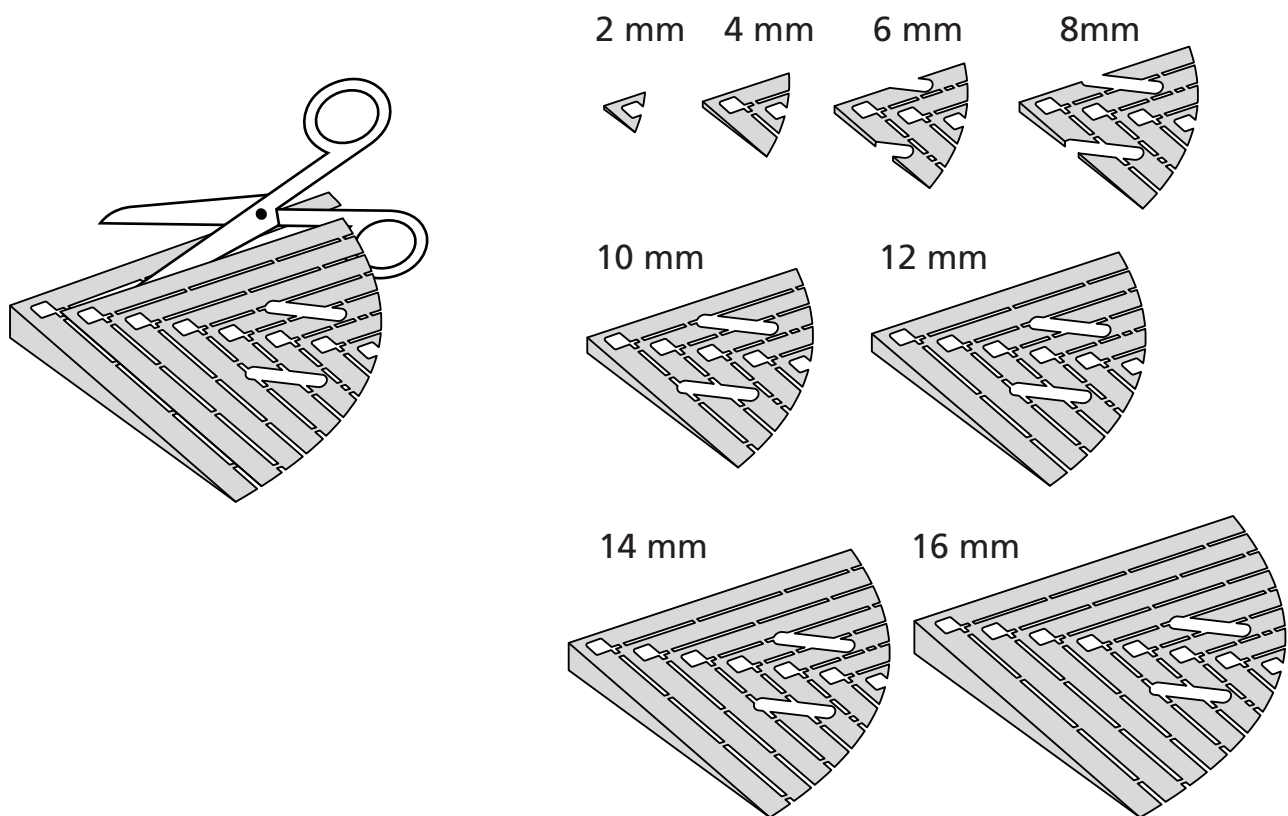


CORNER RAMP ADJUSTER

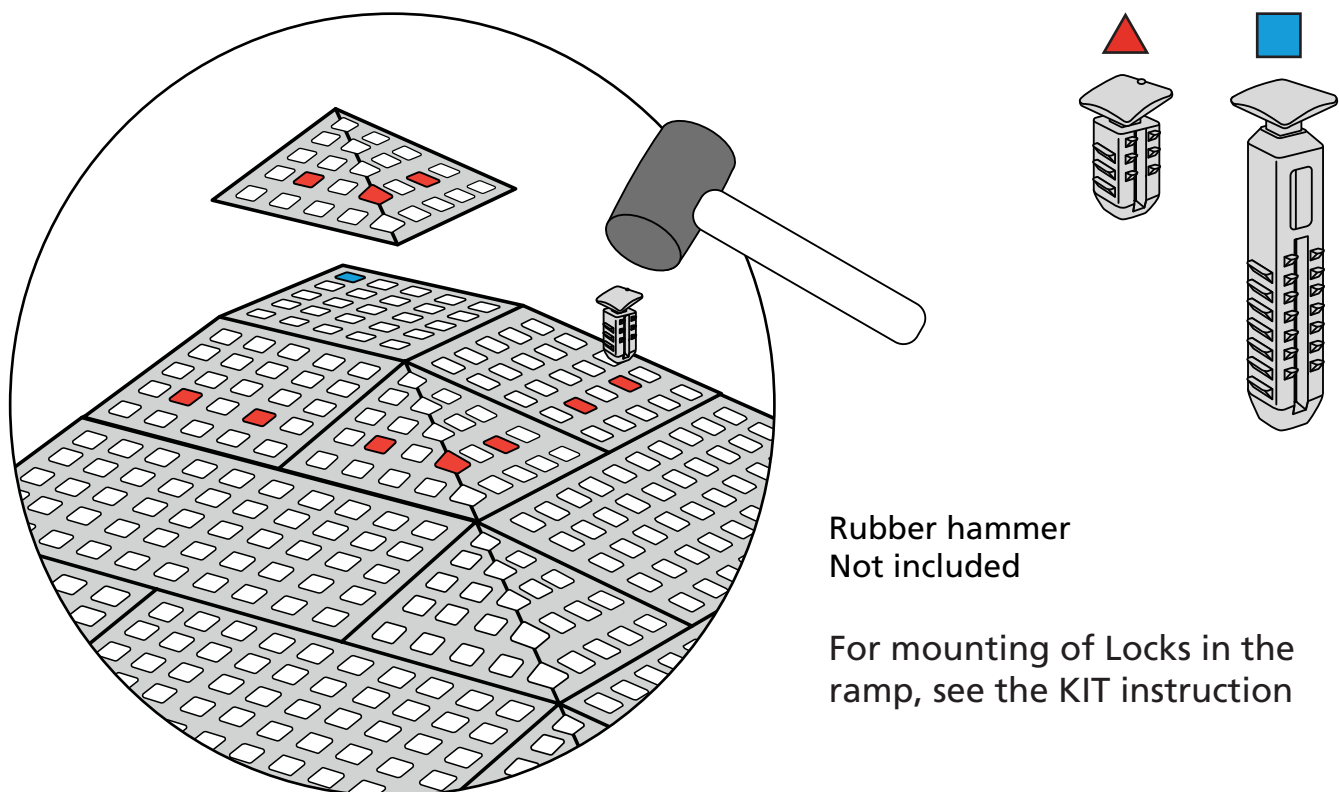
Is Ramp Adjusters used/needed in the installation, be aware that the ramp and the corner gain the same height.



Corner Ramp Adjuster height adjustments:

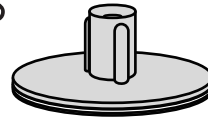


MOUNTING WITH LOCKS

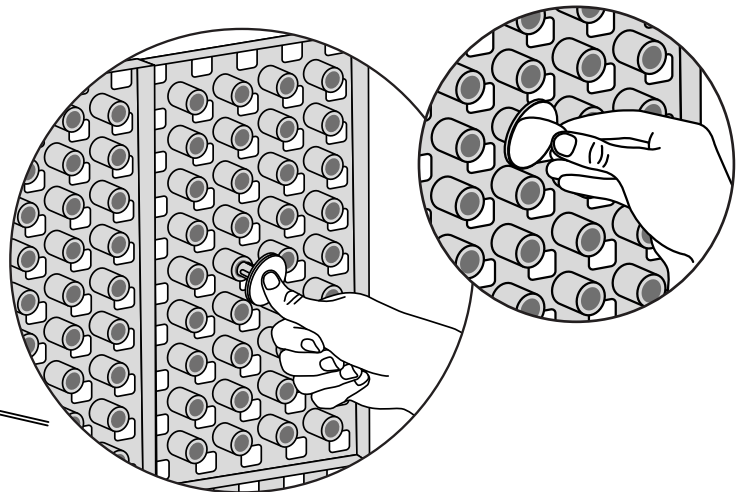
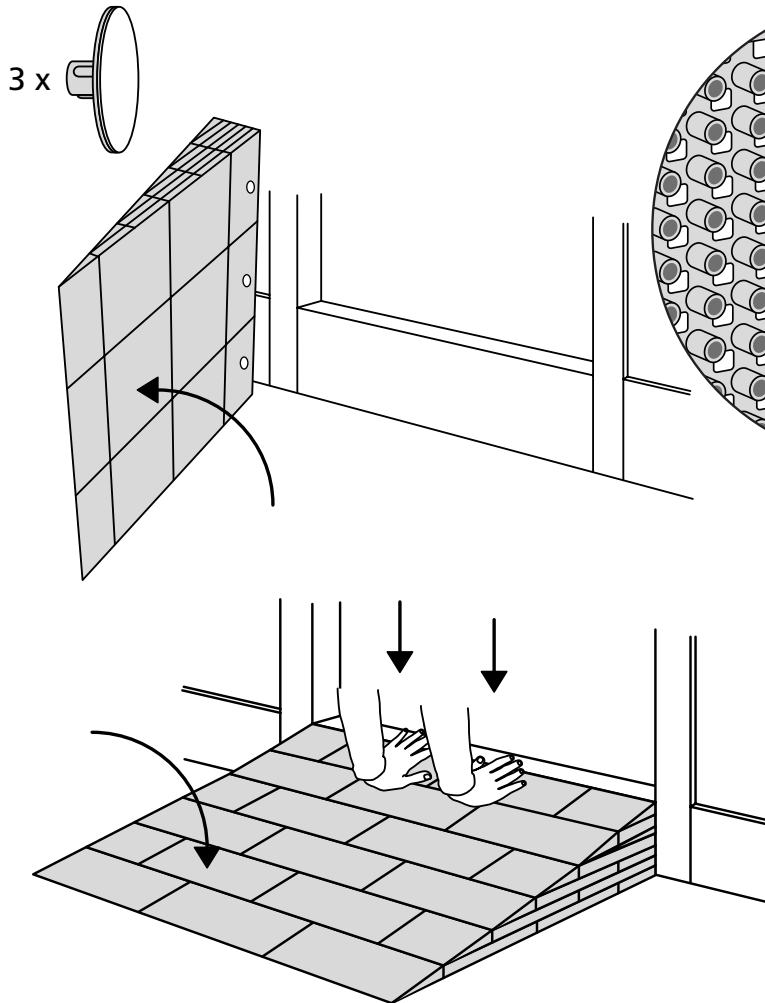


FASTENING WITH MOUNTING PADS

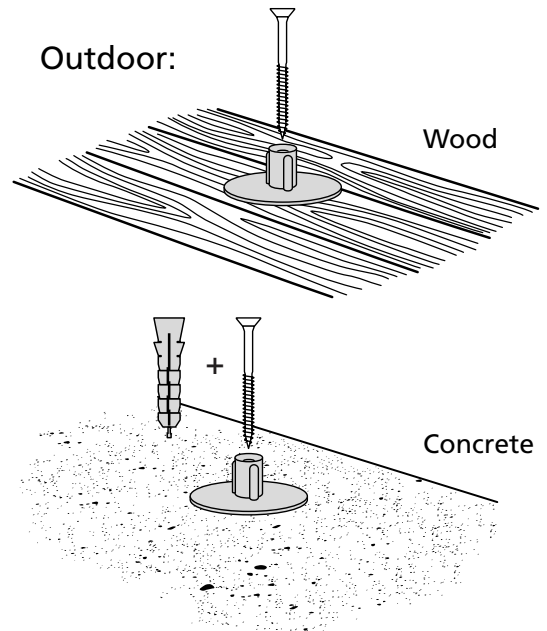
Same instruction as for Ramp KITS.



Indoor:



Outdoor:



FASTENING WITH STOPPERS

