

RAMP KIT 4 PLATFORM



Dimensions

Depth: 75 cm

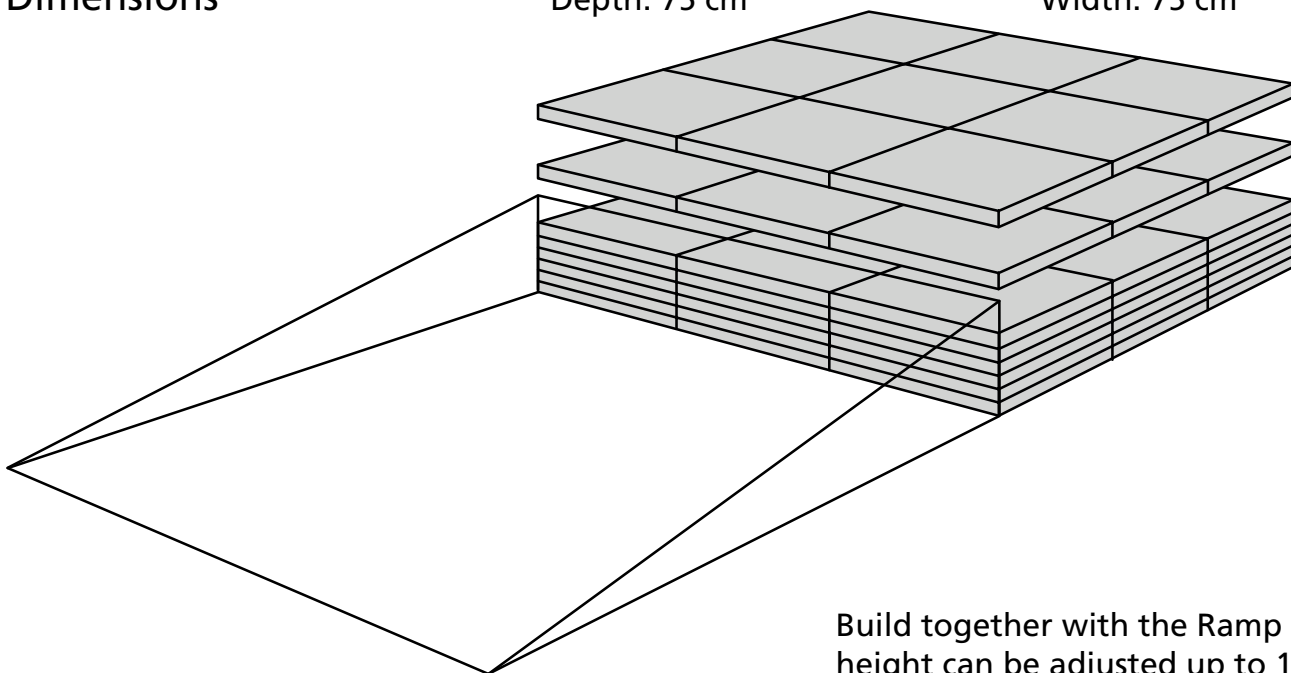
Width: 75 cm

Height:

14,4 cm

12,6 cm

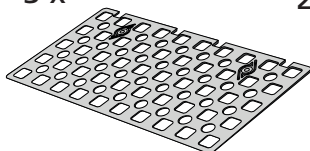
10,8 cm



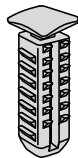
Build together with the Ramp Kit 4, the height can be adjusted up to 16 cm

Included

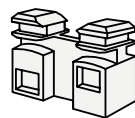
3 x



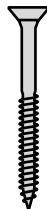
25 x



24 x



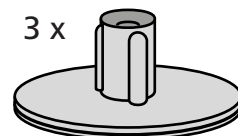
3 x



3 x



3 x



9 x



Mounted under the platform

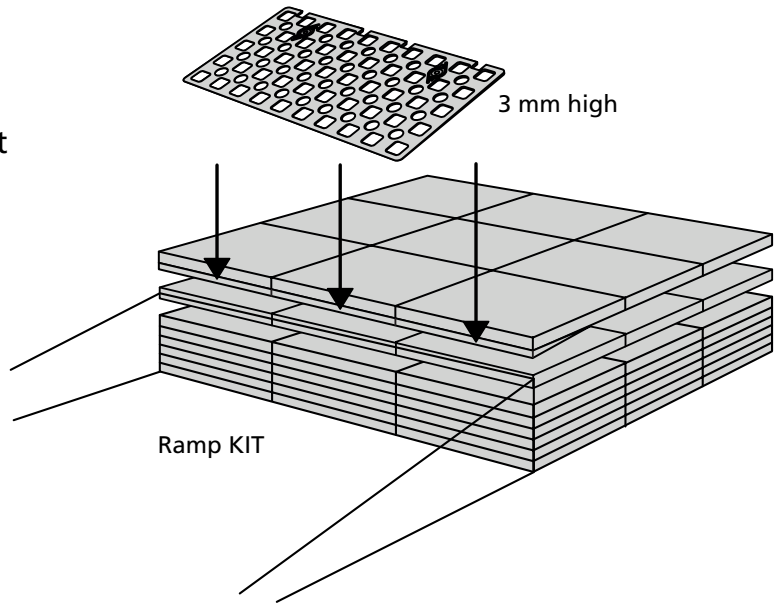
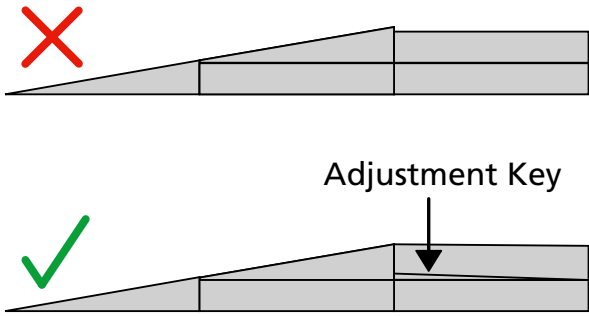


Danish Design Pat. Pend. and produced in Denmark by Excellent Systems A/S

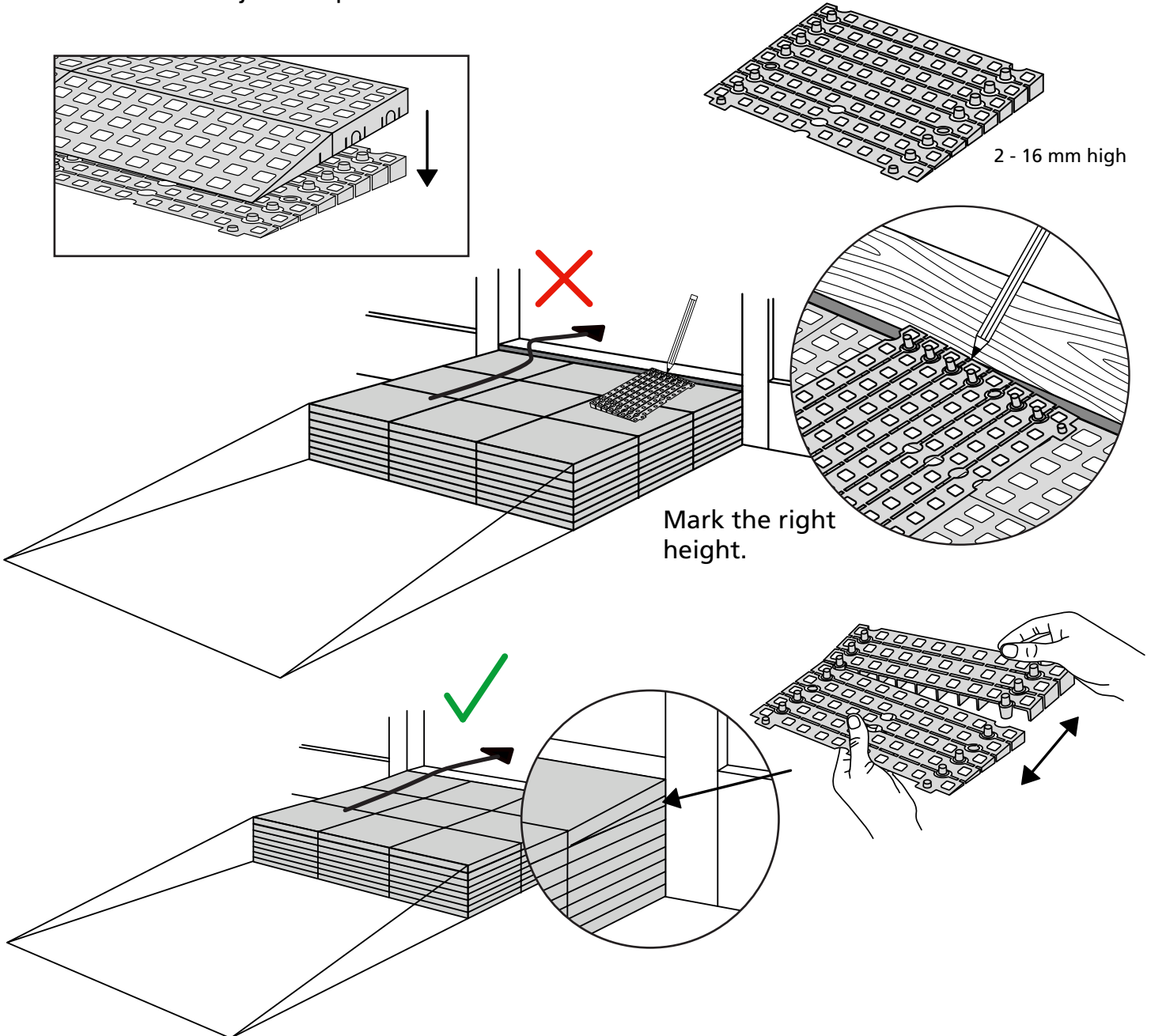


HEIGHT ADJUSTMENTS

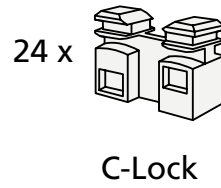
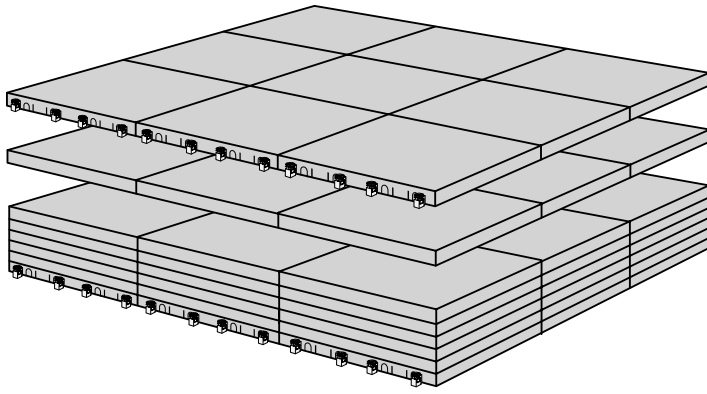
The Adjustment Key equalizes the height difference between platform and ramp.



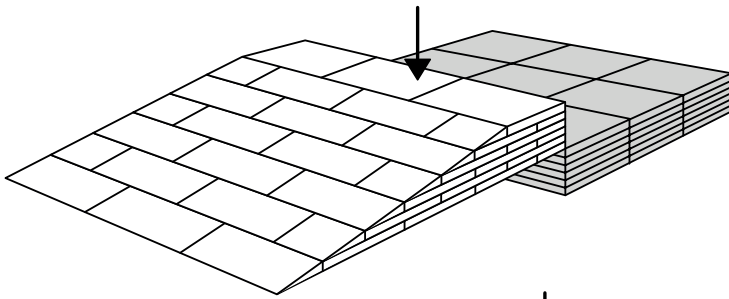
When you connect a **platform** and a **ramp**, remove the **Ramp Adjuster** from the ramp, and use it to adjust the platform as shown here:



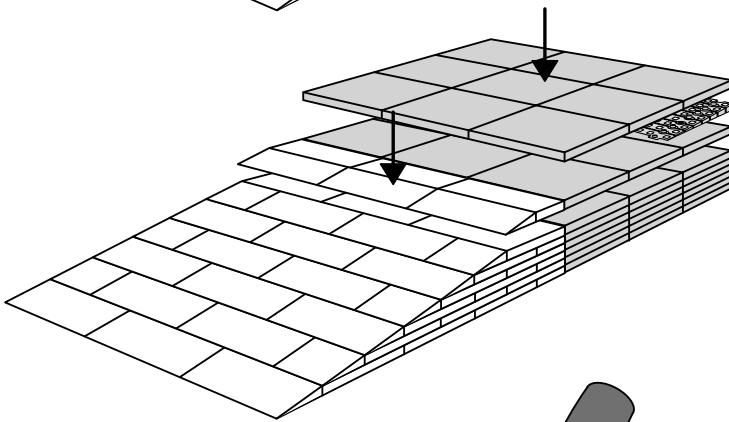
MOUNTING WITH LOCKS



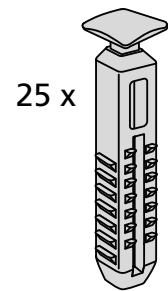
How to connect KIT and Platform:



Locks in Ramp KIT:
See KIT instruction for placement
of Locks in the Ramp KIT.

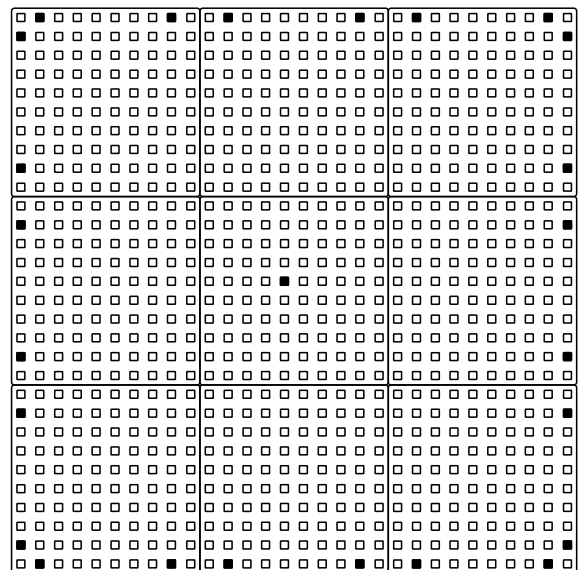
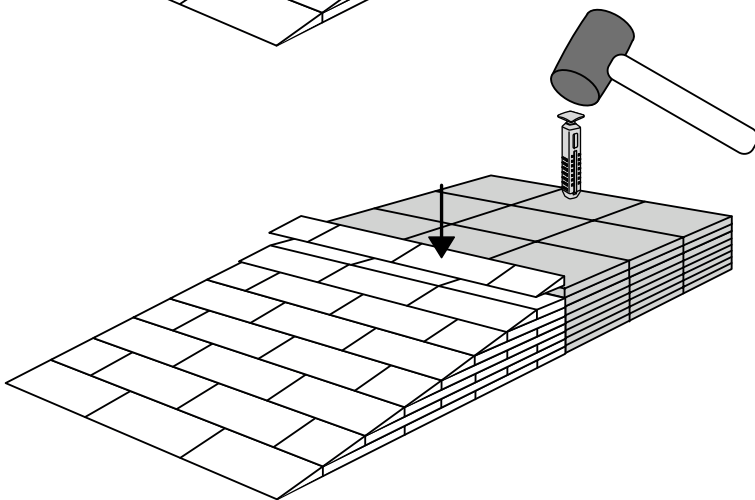


Locks in platform:
S-Lock is mounted
on the top layer.

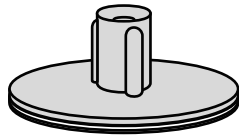


Use rubber hammer
(Not included)

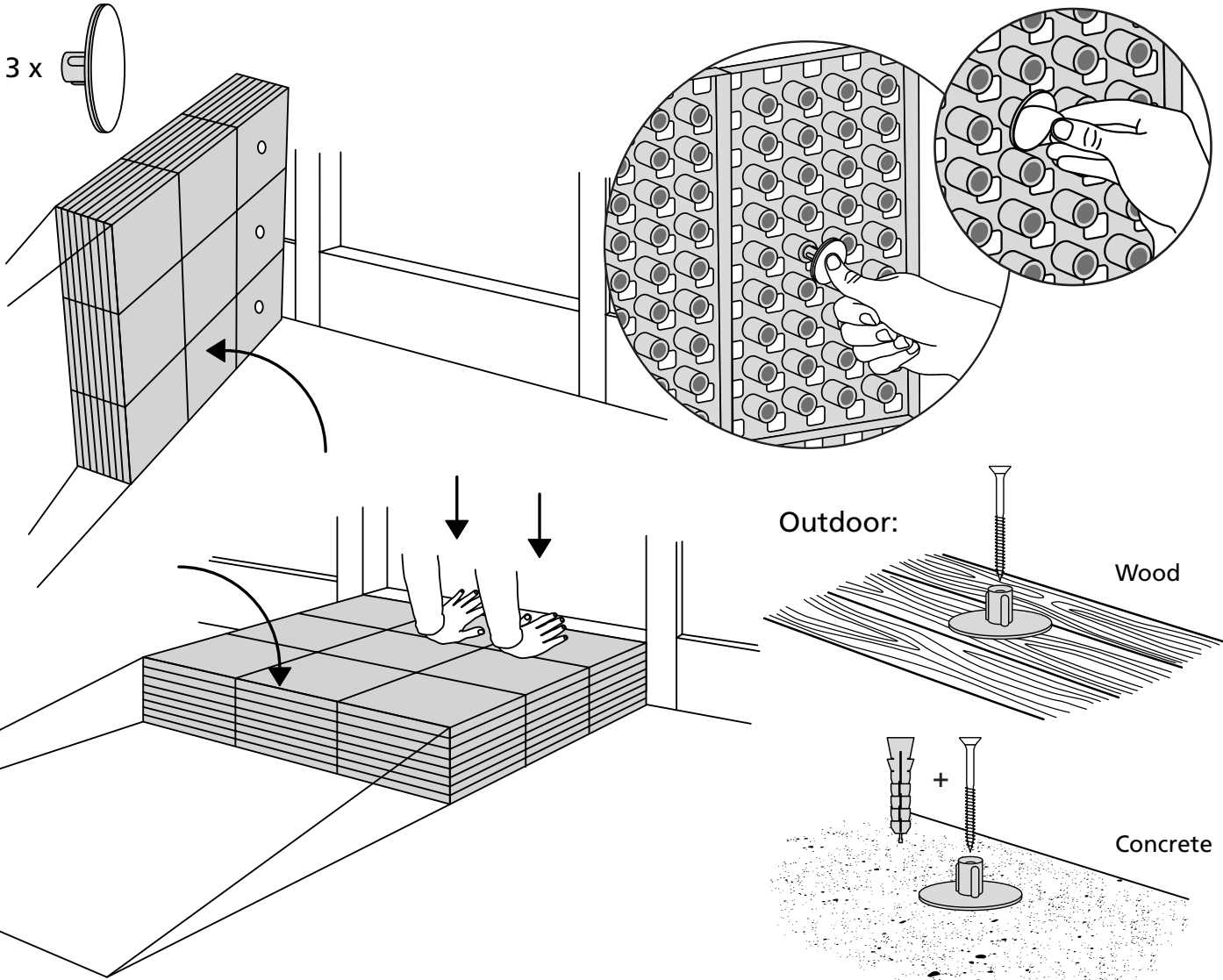
S-Lock



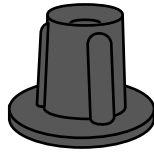
FASTENING WITH MOUNTING PADS



Indoor:



MOUNTING WITH STOPPERS



9 x

