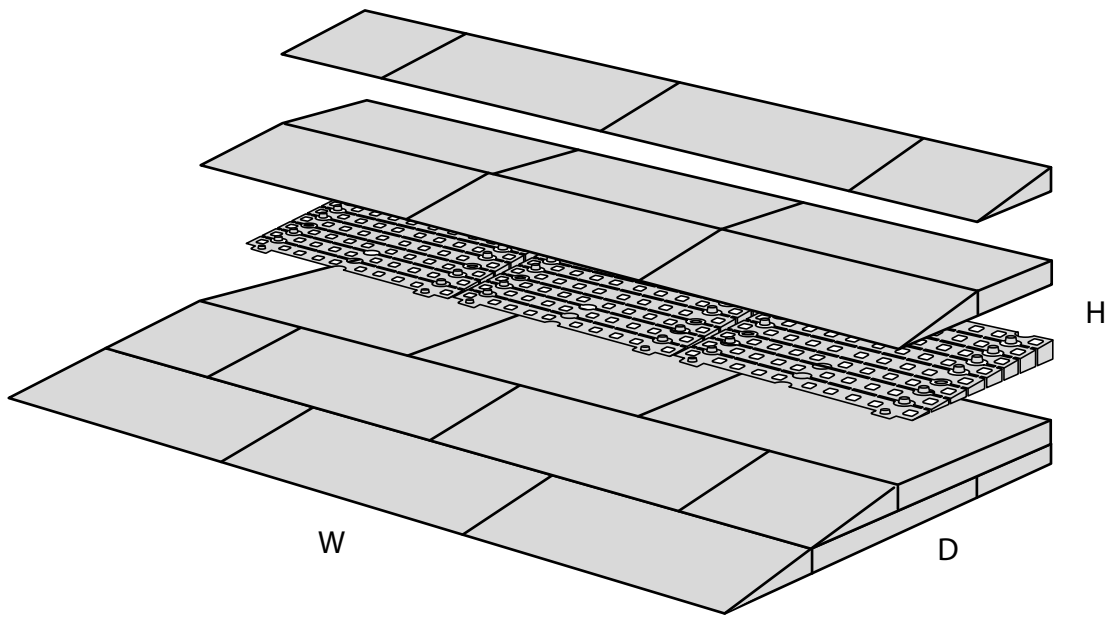
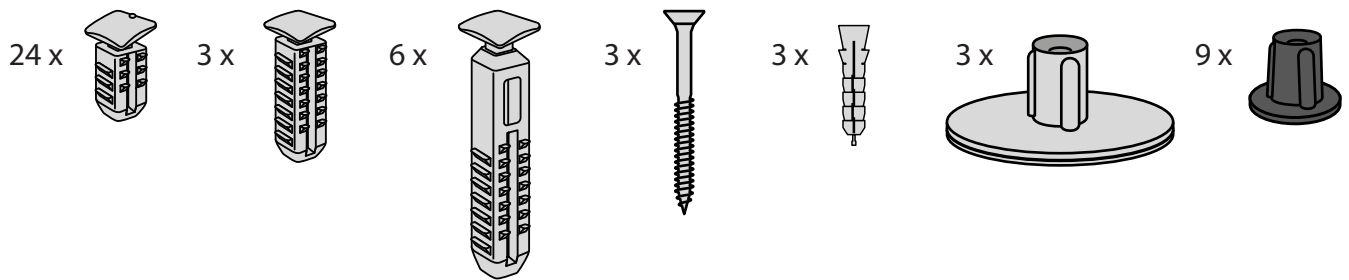


RAMP KIT 2N

Height: 3,6 - 9,1 cm
Width: 75 cm
Depth: 50 cm

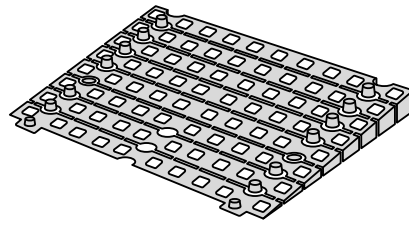
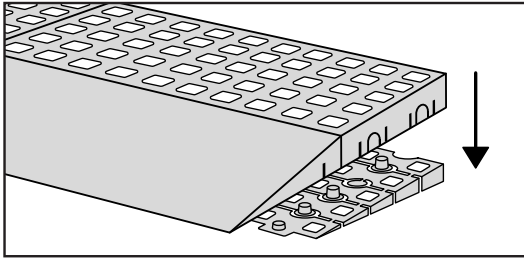


Included

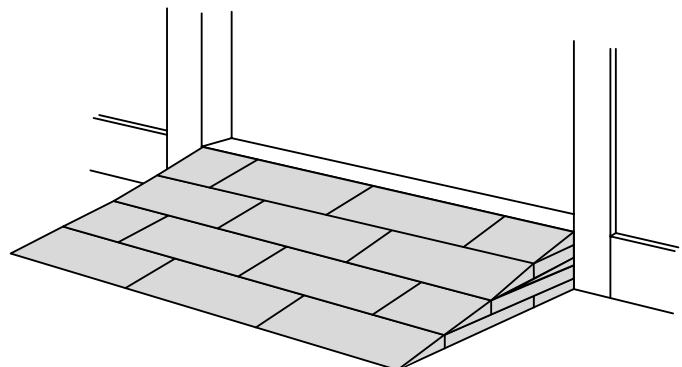
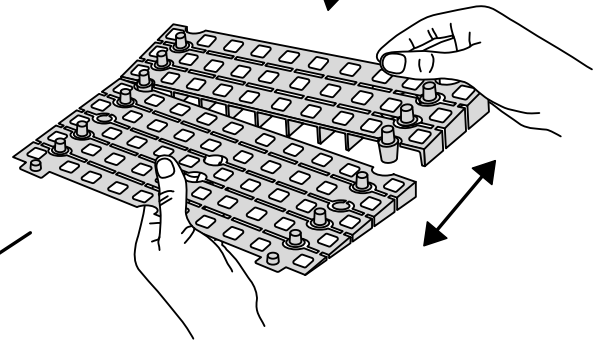
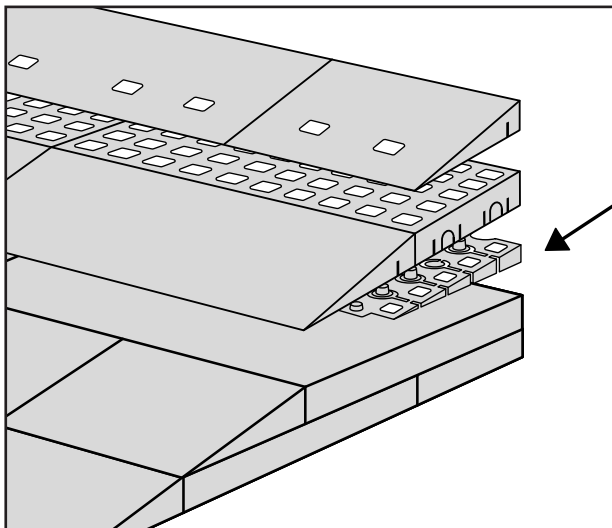
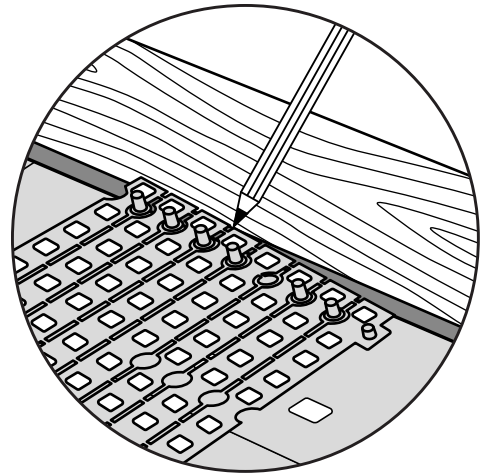
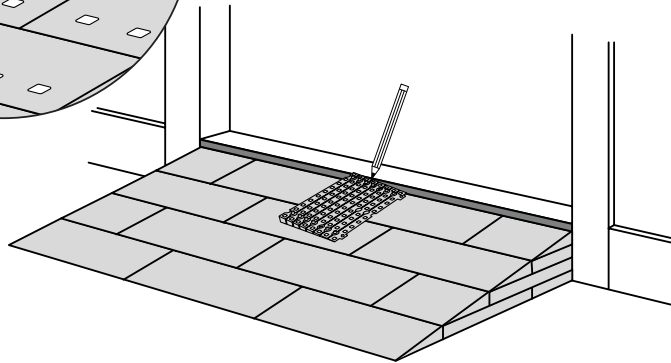
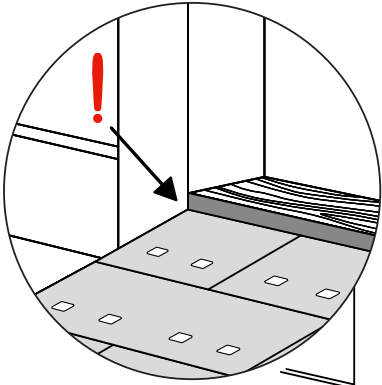
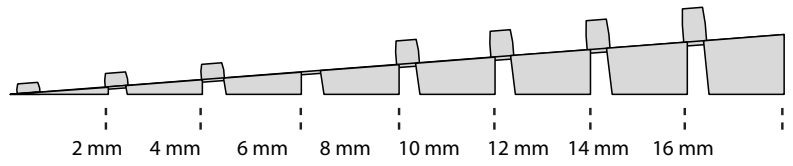


HEIGHT ADJUSTMENT

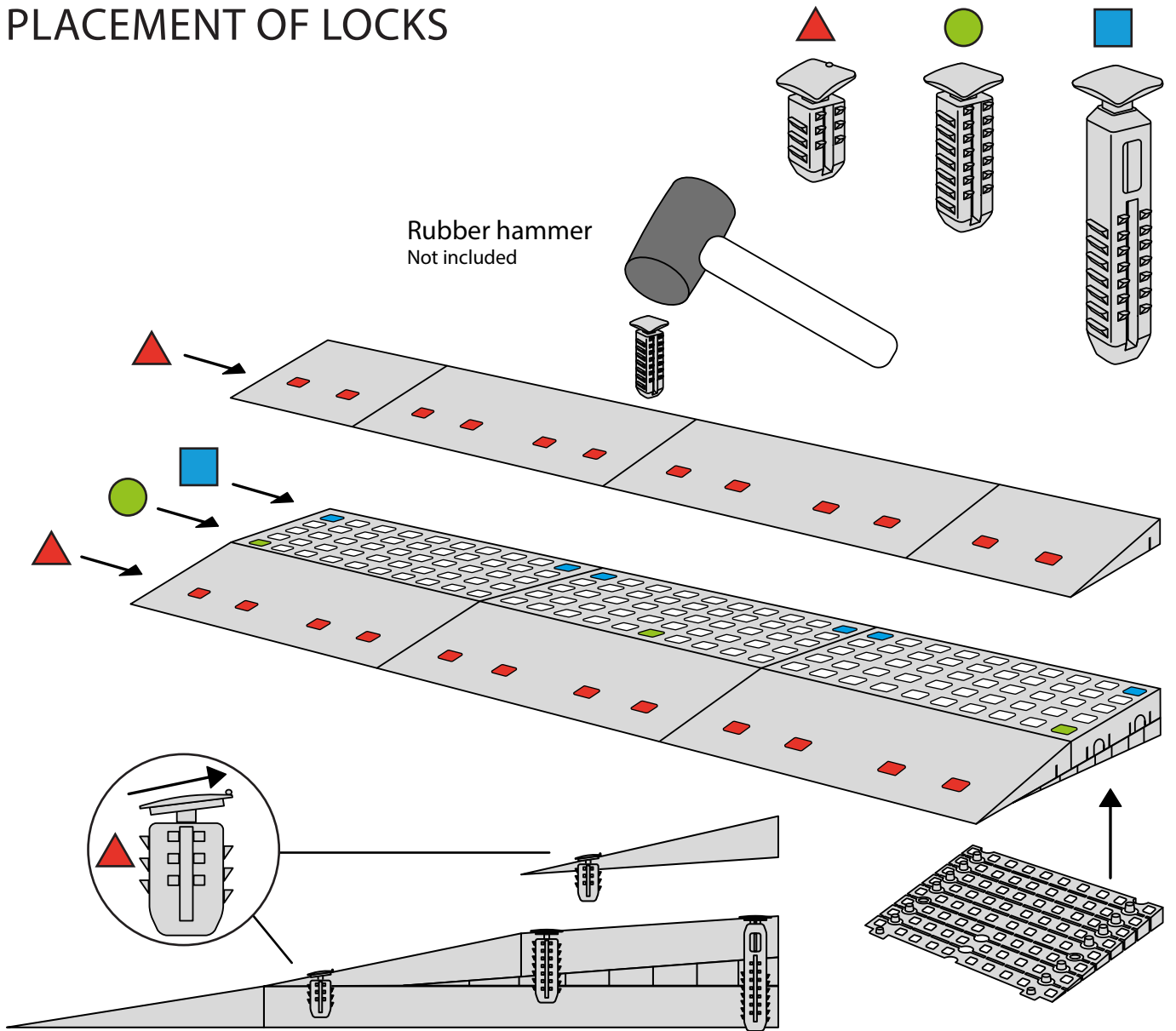
Remove Ramp Adjuster from toplayer:



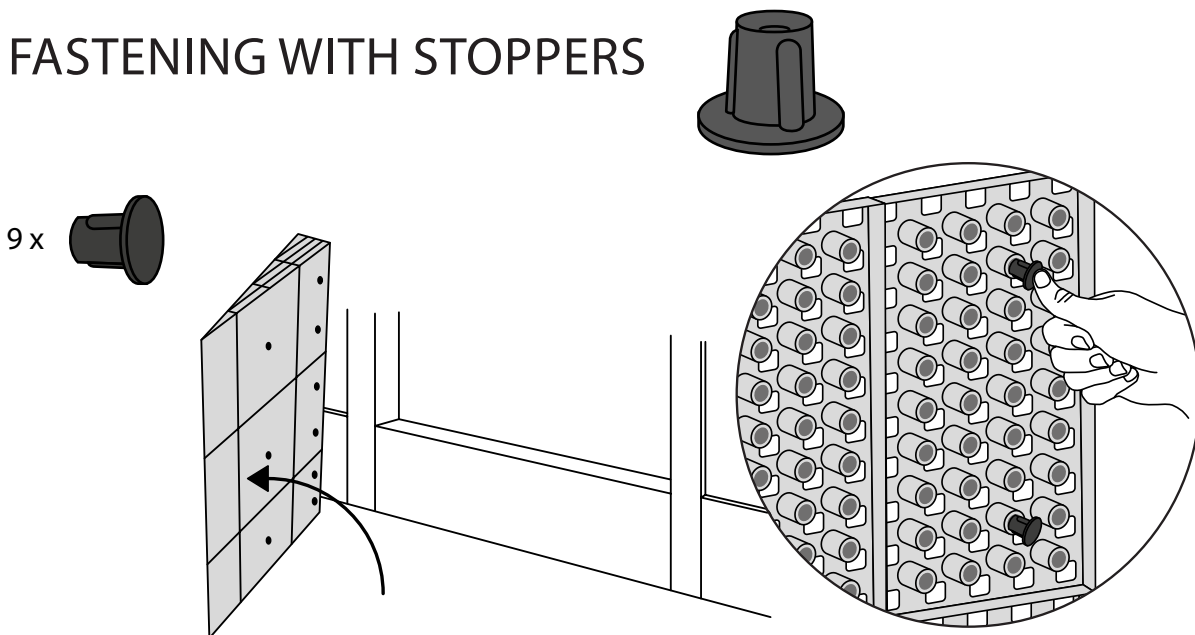
Heights:



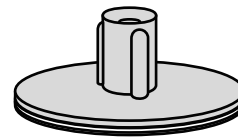
PLACEMENT OF LOCKS



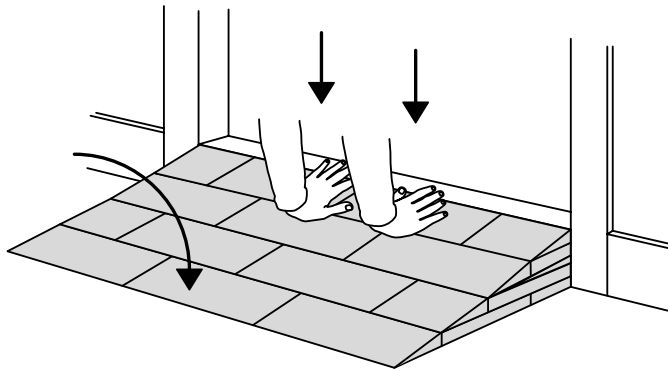
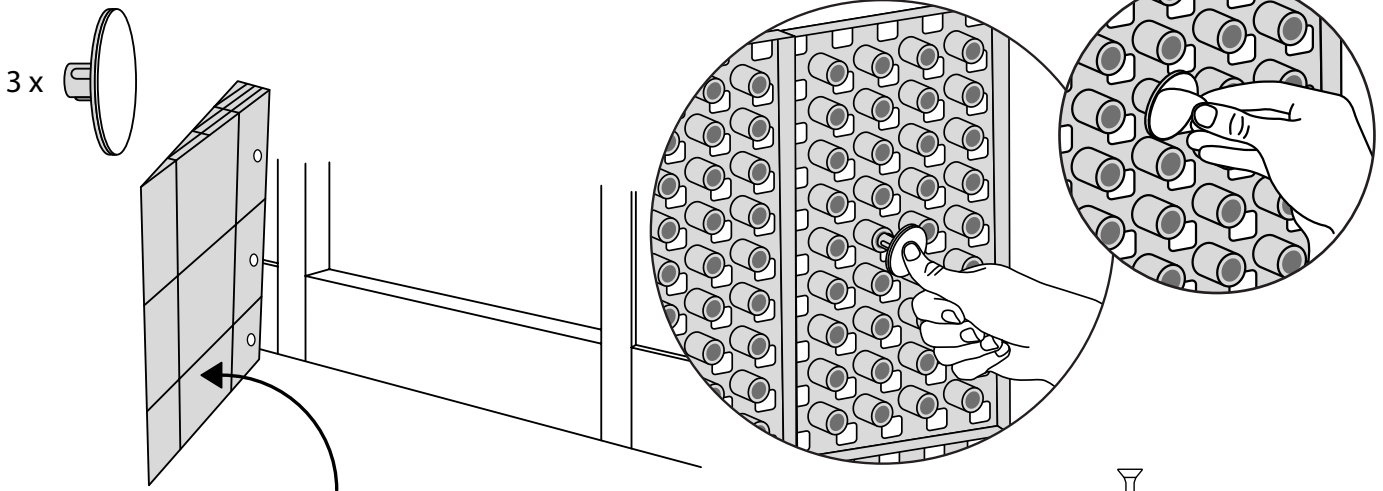
FASTENING WITH STOPPERS



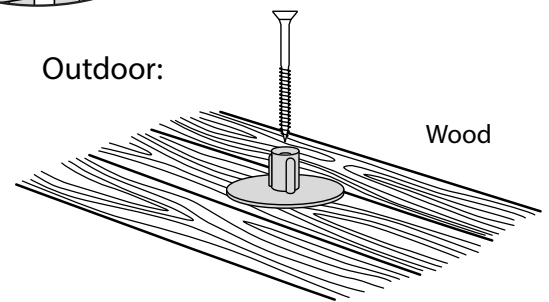
FASTENING WITH MOUNTING PADS



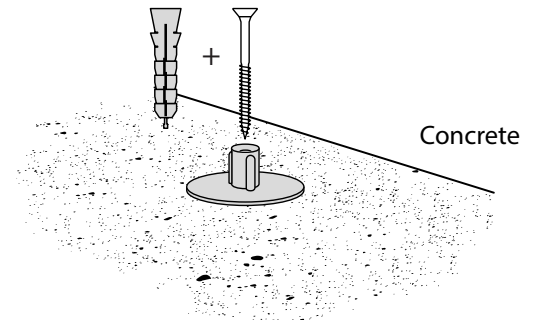
Indoor:



Outdoor:



Wood



Concrete

DISPOSAL



HDPE

KIT and KIT parts: These products are made from PE (Polyethylen). For disposal after use we encourage you to make sure that the KIT is either returned to the point of purchase for collection and shipment back to Excellent (for regeneration), or sorted according to the recommendations in your local area.



LDPE

Plastic bag: Recycled as clear LDPE plastic.



PAP

Cardboard box: Recycled as cardboard.



PAPER

Brochure and instruction: Recycled as paper after end use.

