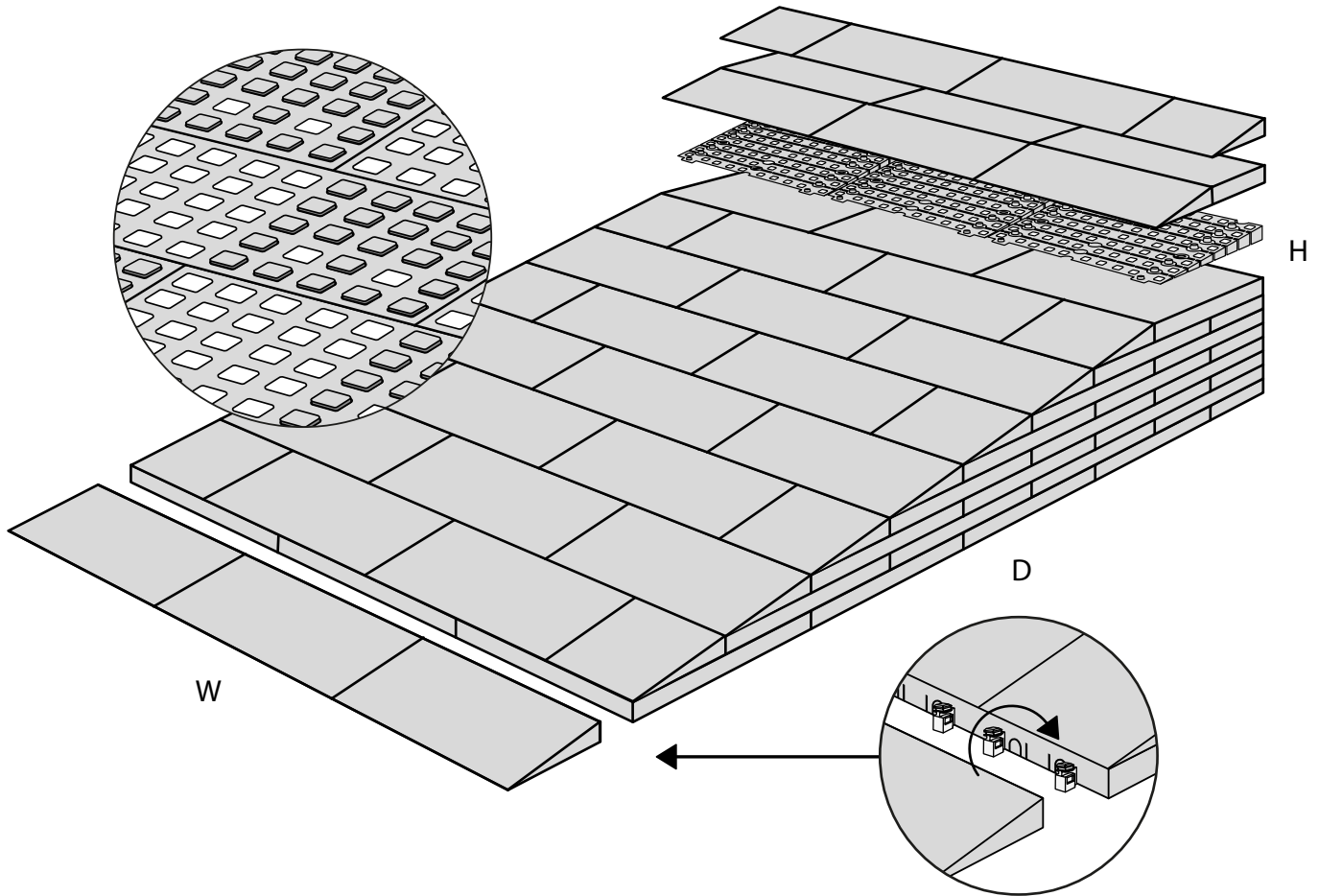
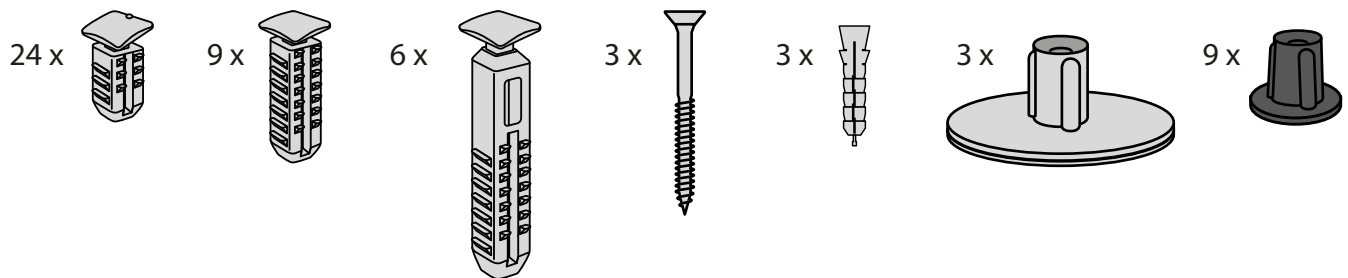


# RAMP KIT 005 S

Height: 14,4 - 19,9 cm  
Width: 75 cm  
Depth: 125 cm



## Included



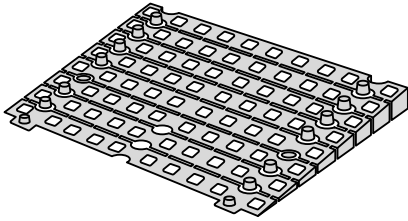
**MD** Medical Device

Danish Design Pat. Pend. and produced  
in Denmark by Excellent Systems A/S

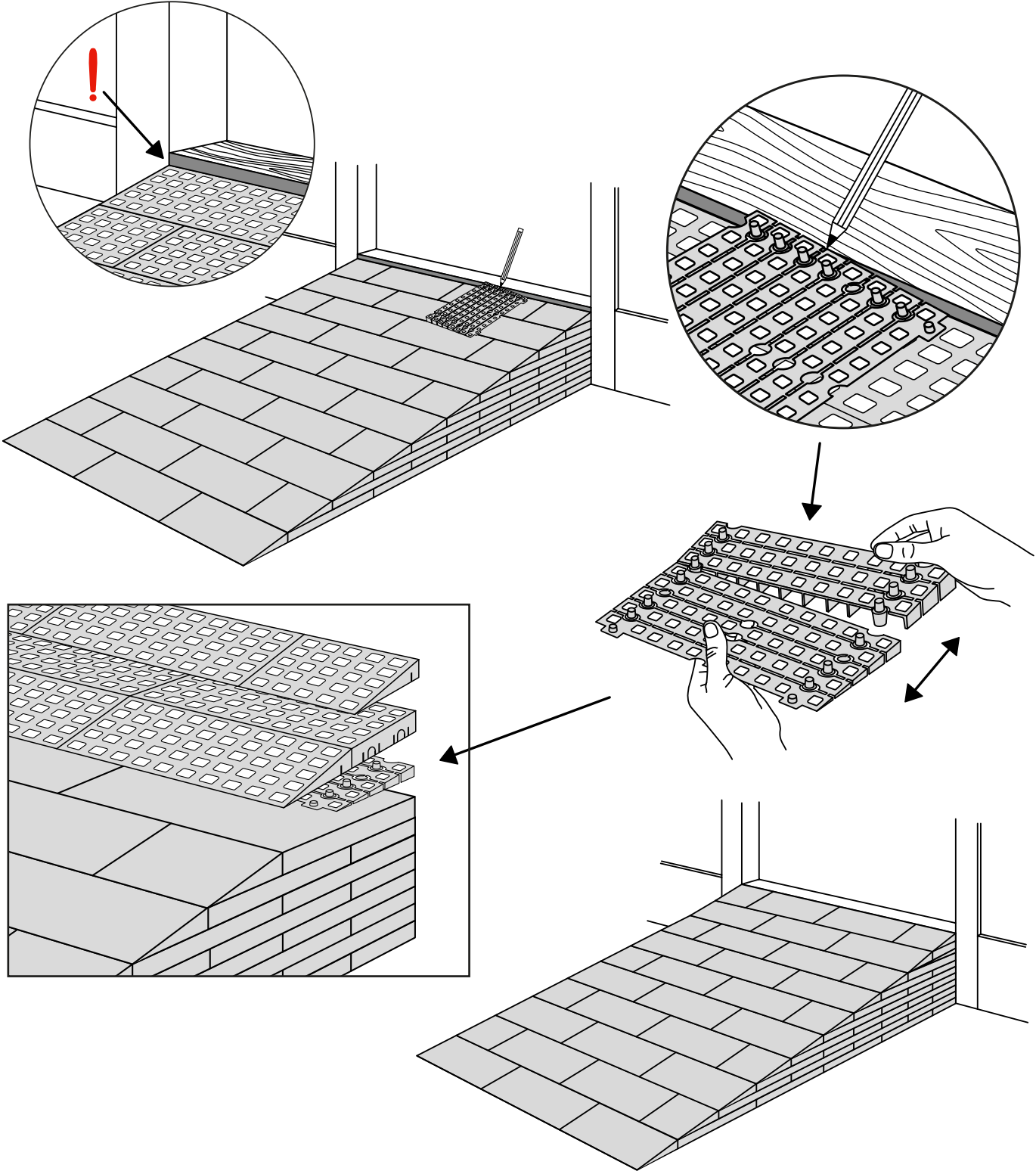
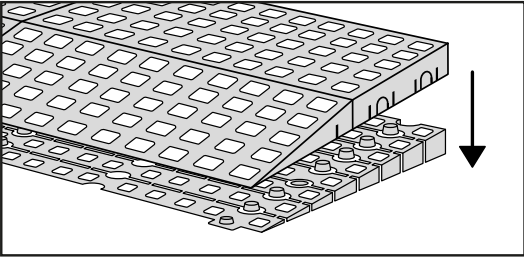
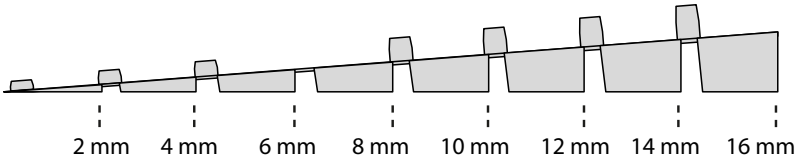


# HEIGHT ADJUSTMENT

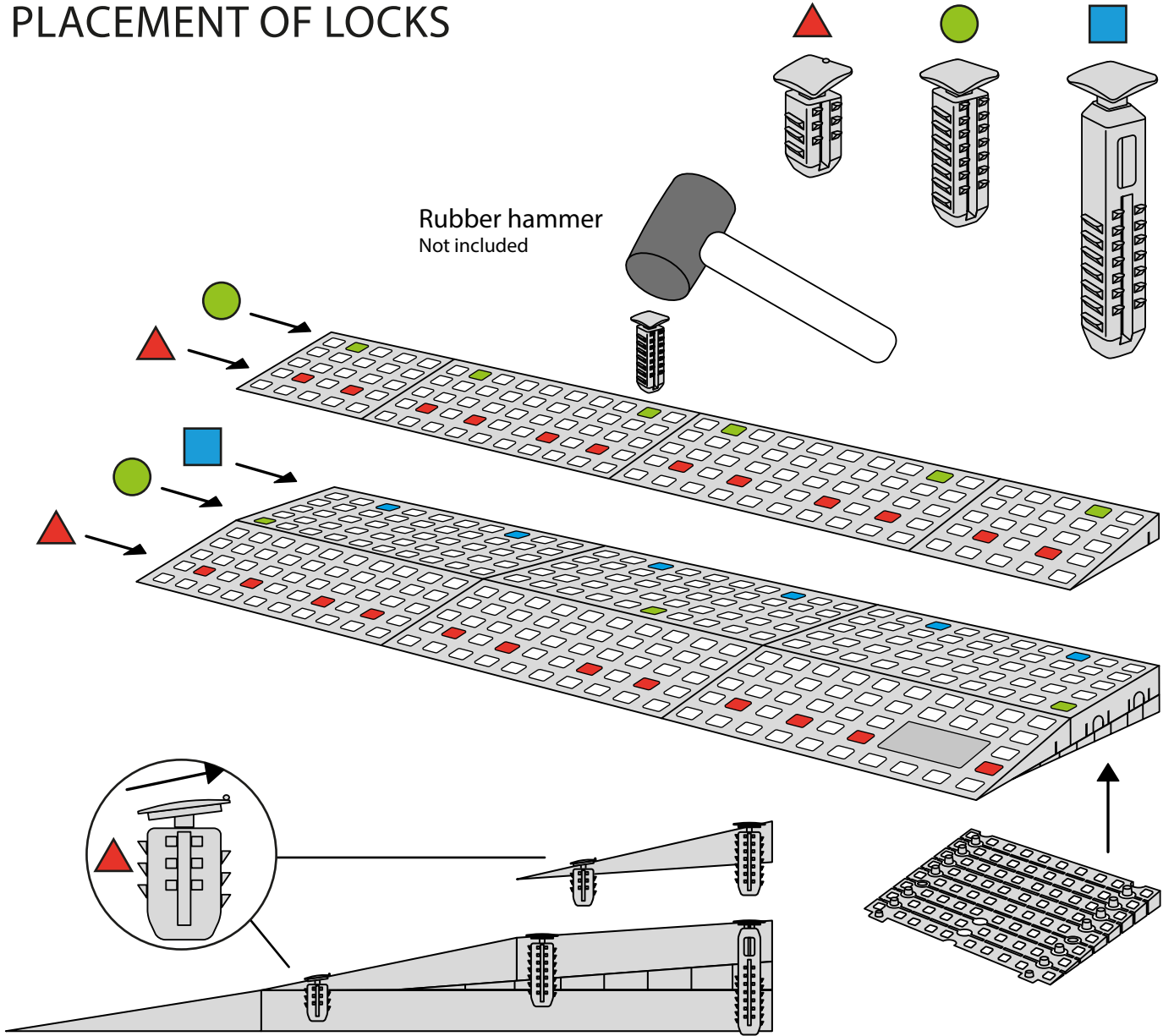
Remove Ramp Adjuster from toplayer:



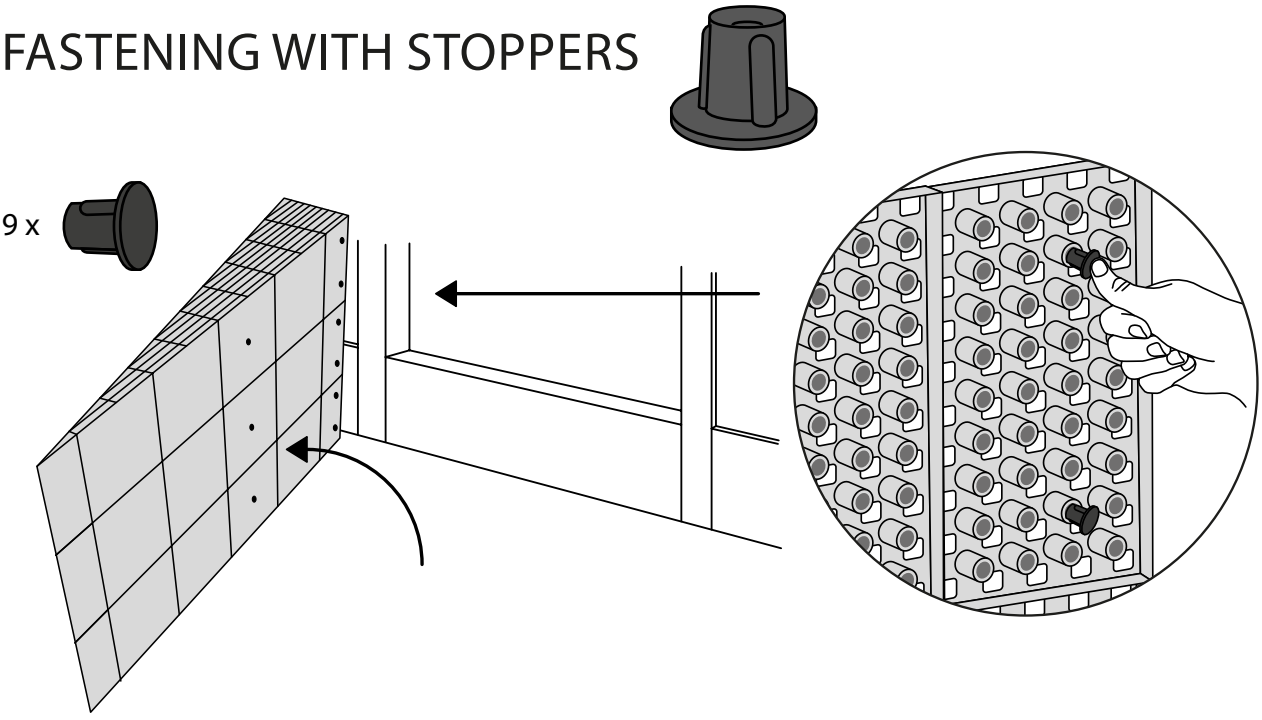
Heights:



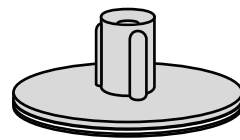
# PLACEMENT OF LOCKS



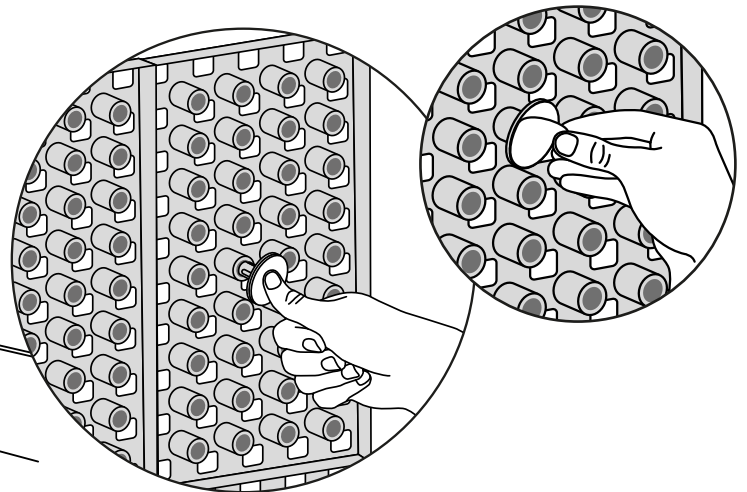
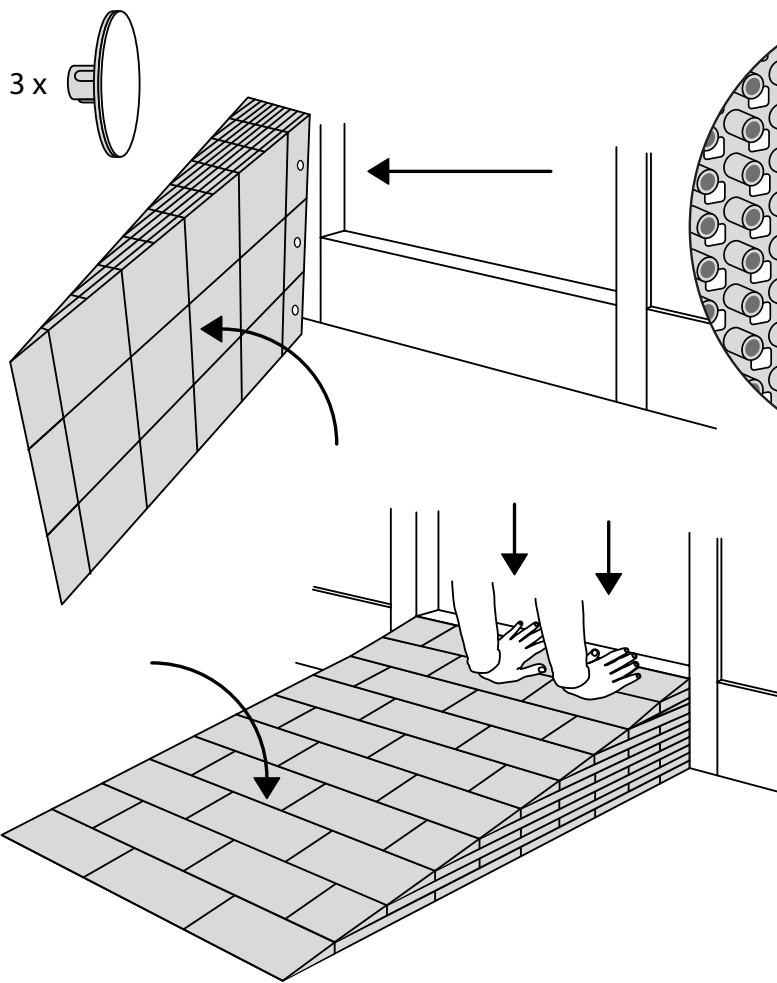
# FASTENING WITH STOPPERS



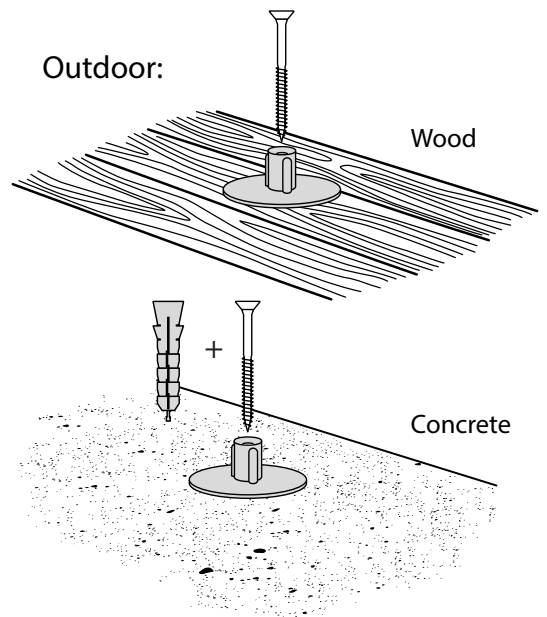
# FASTENING WITH MOUNTING PAD



Indoor:



Outdoor:



## DISPOSAL



**KIT and KIT parts:** These products are made from PE (Polyethylen). For disposal after use we encourage you to make sure that the KIT is either returned to the point of purchase for collection and shipment back to Excellent (for regeneration), or sorted accordingly to the recommendations in your local area.



**Plastic bag:** Recycled as clear LDPE plastic.



**Cardboard box:** Recycled as cardboard.



**Brochure and instruction:** Recycled as paper after end use.

