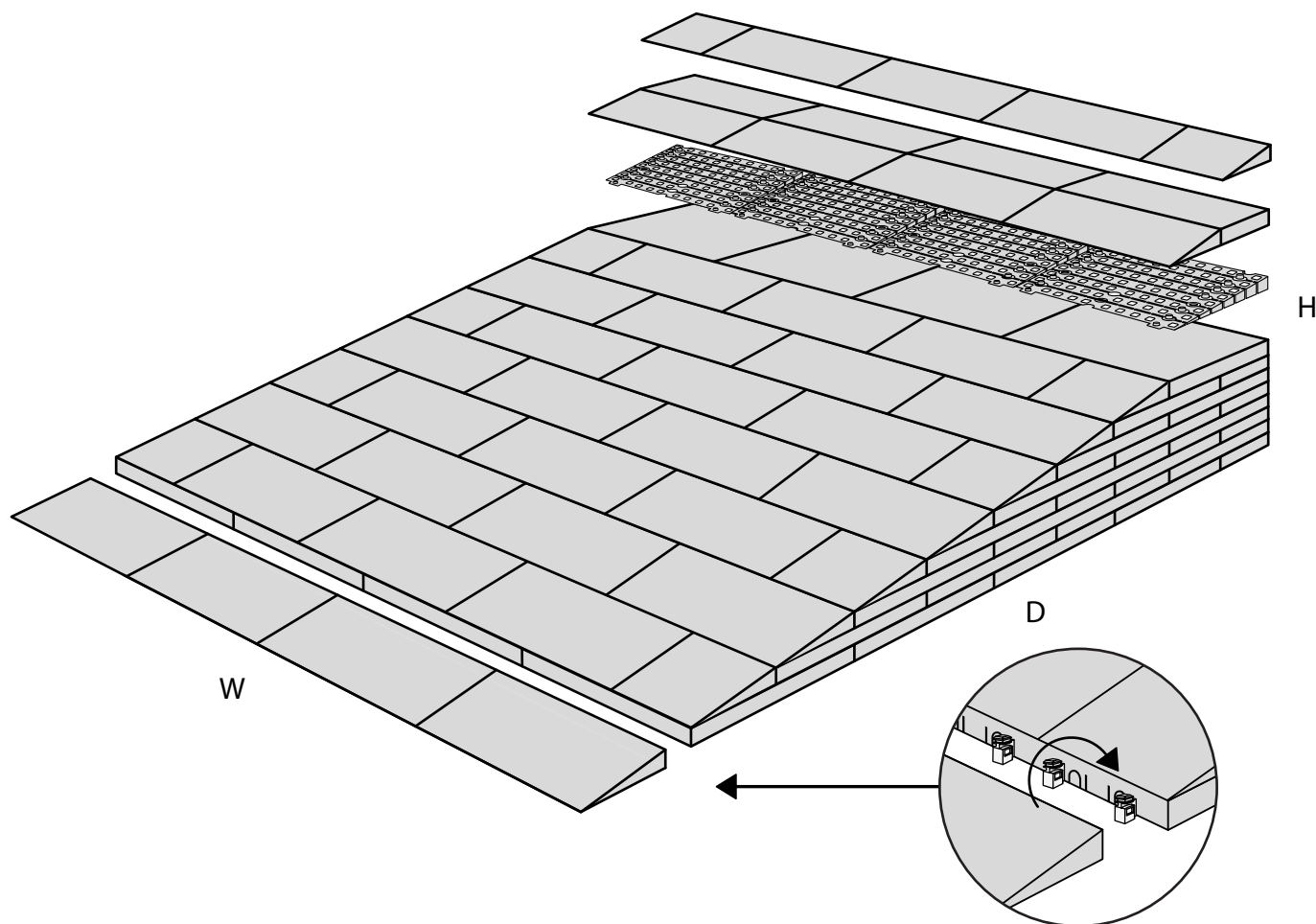


RAMP KIT 105N

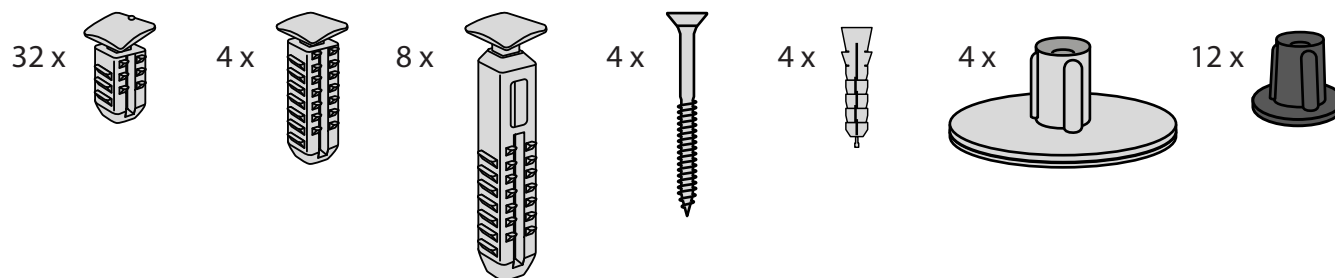
Height: 14,4 - 19,9 cm

Width: 100 cm

Depth: 125 cm



Included

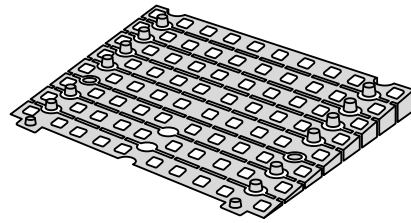


Danish Design Pat. Pend. and produced
in Denmark by Excellent Systems A/S

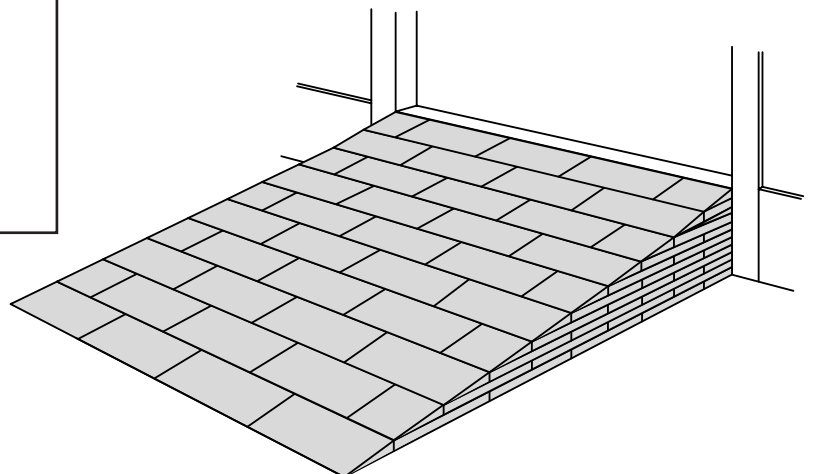
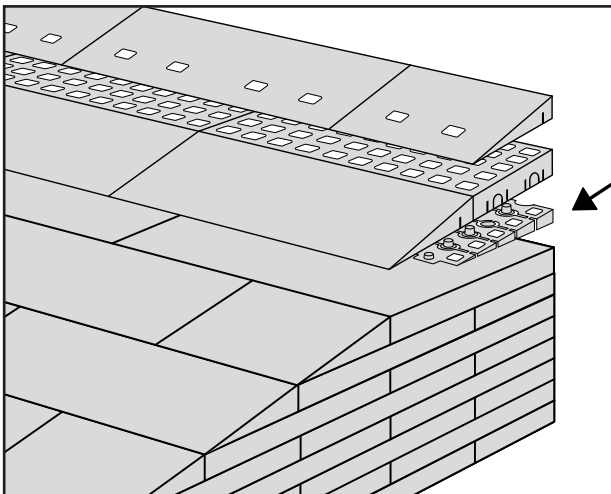
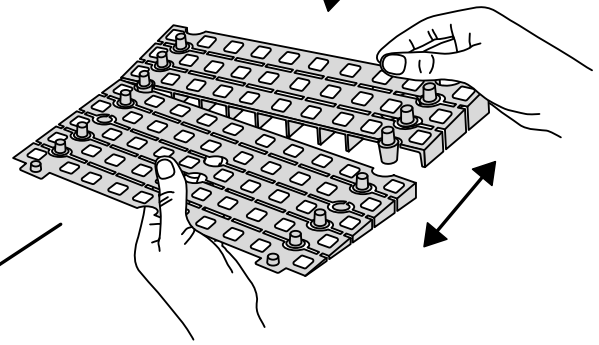
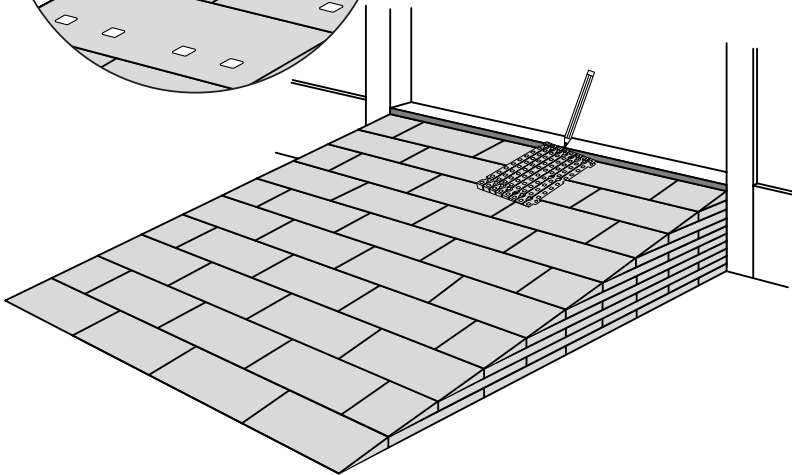
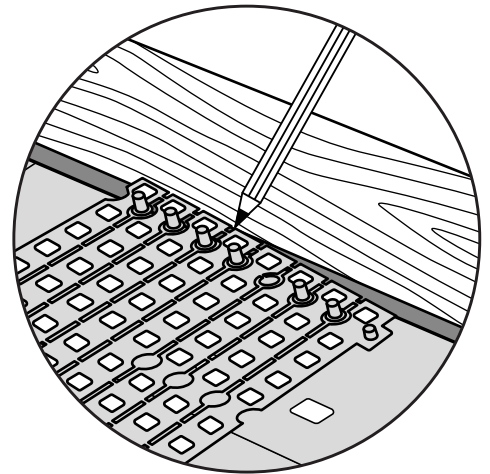
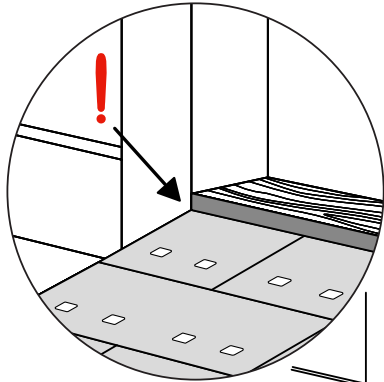
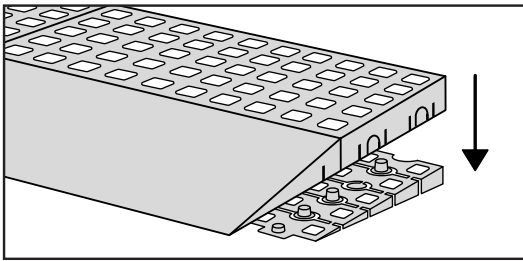
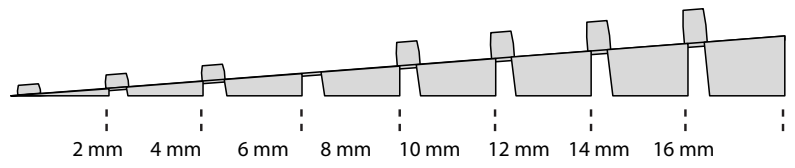


HEIGHT ADJUSTMENT

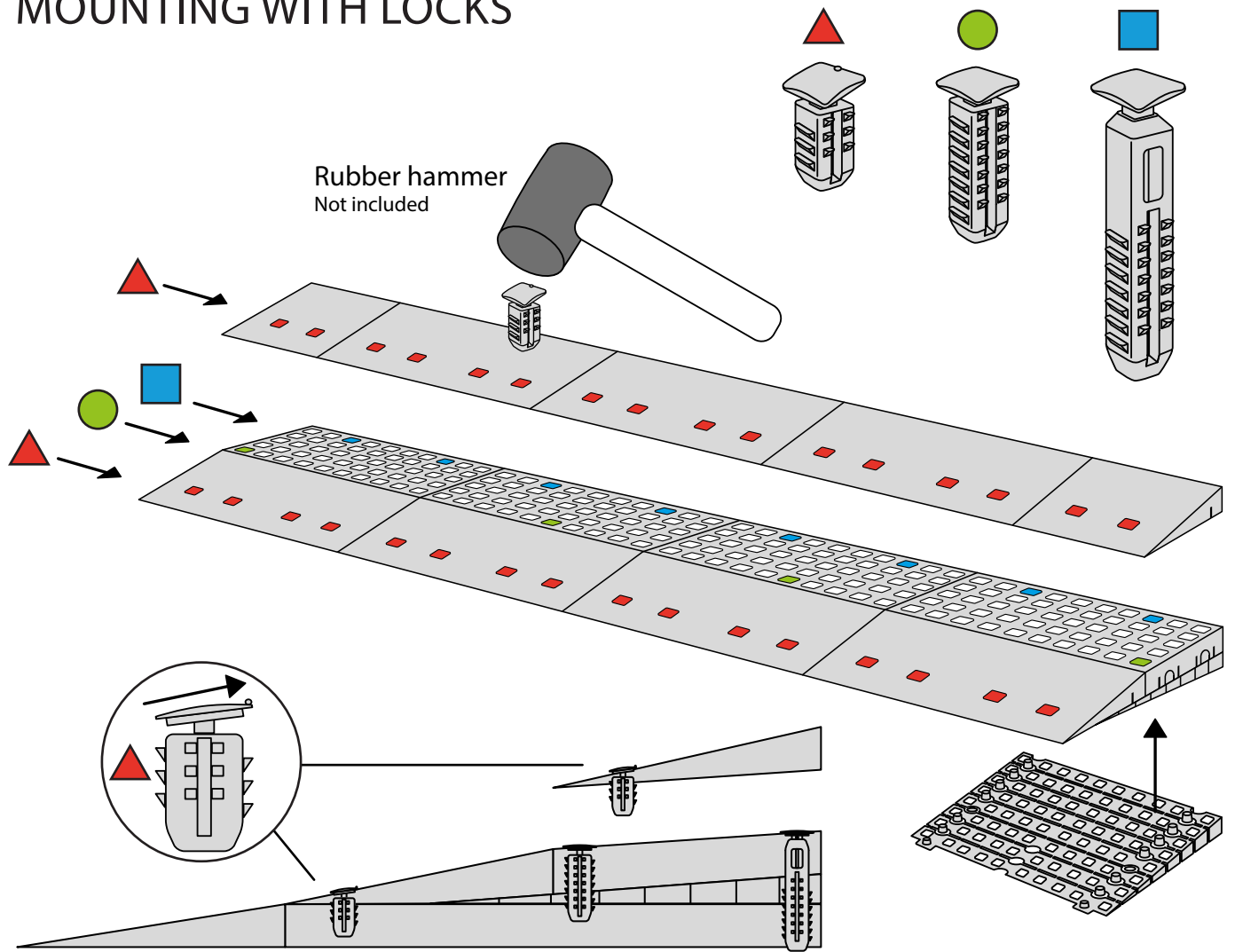
Remove Ramp Adjuster from toplayer:



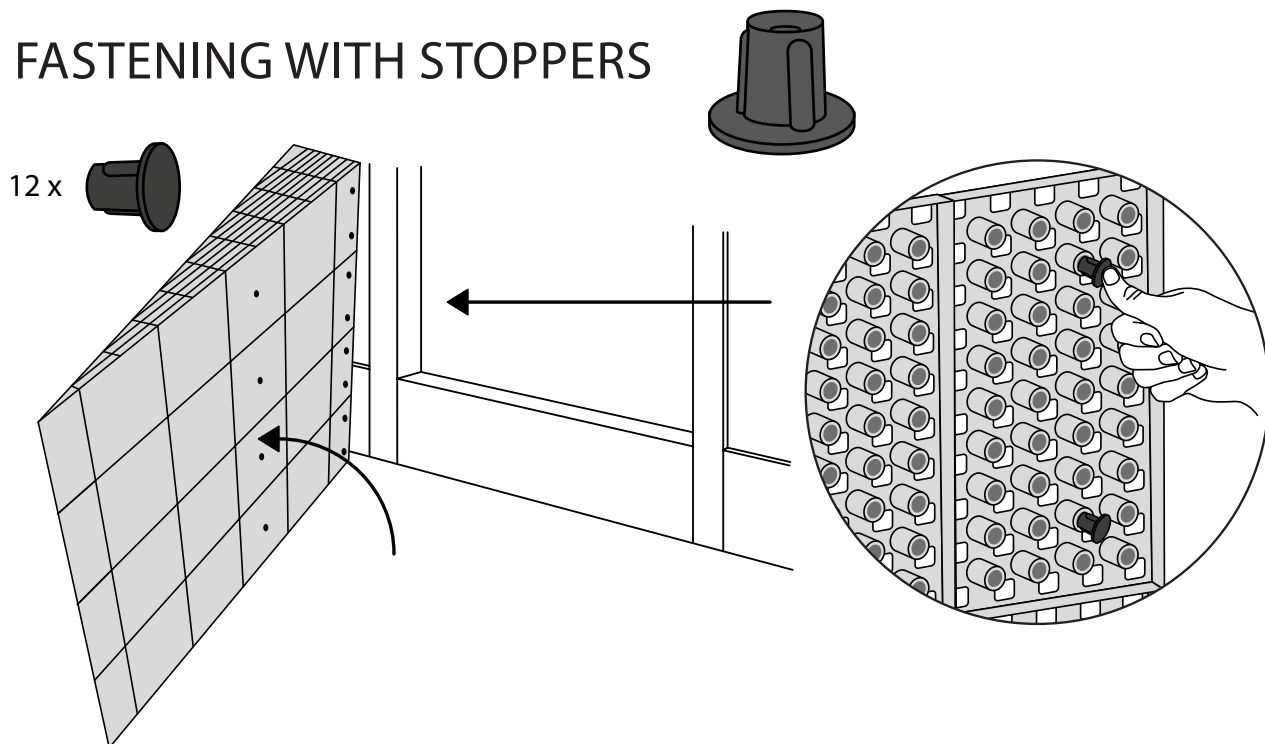
Heights:



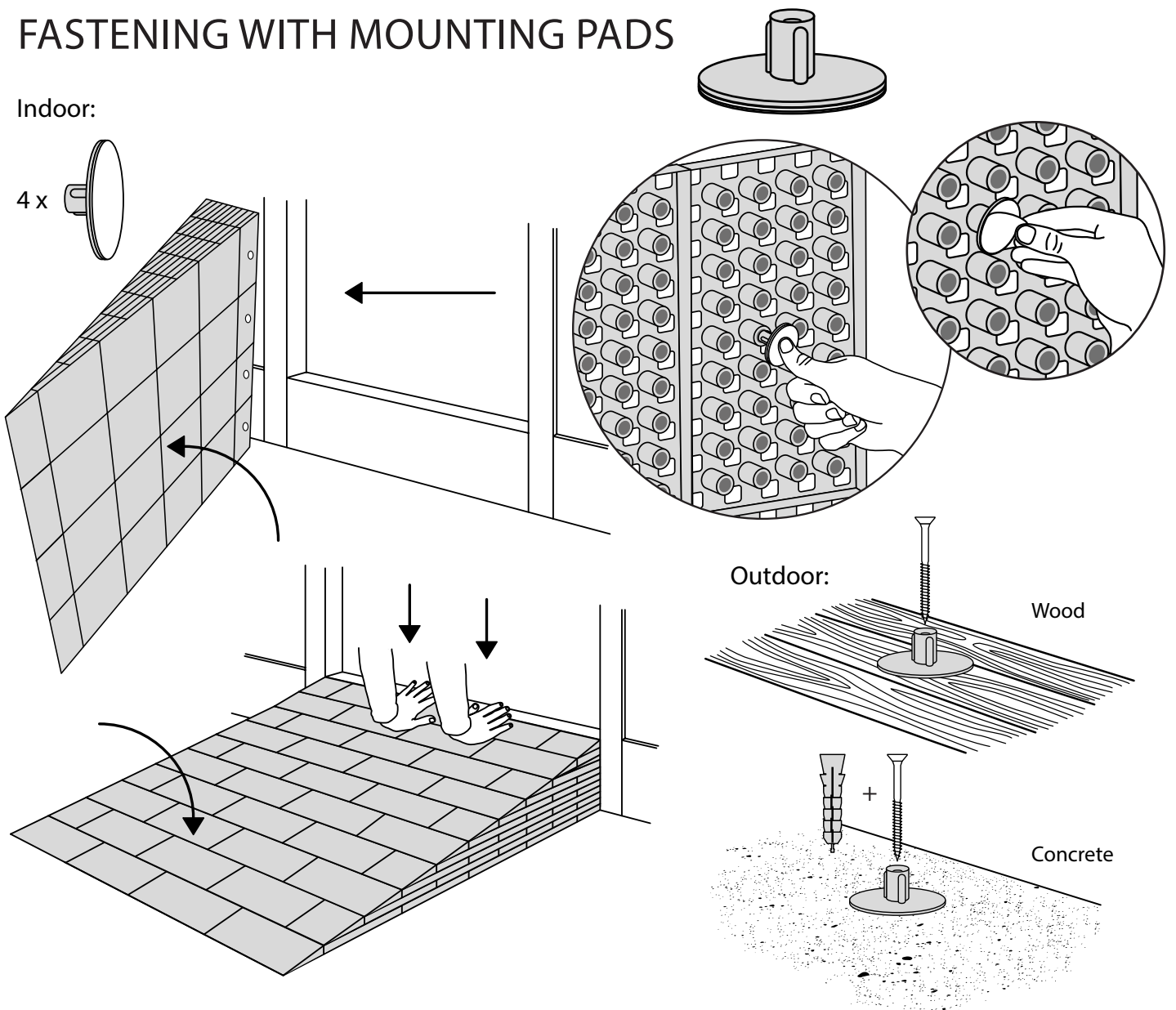
MOUNTING WITH LOCKS



FASTENING WITH STOPPERS



FASTENING WITH MOUNTING PADS



DISPOSAL



KIT and KIT parts: These products are made from PE (Polyethylen). For disposal after use we encourage you to make sure that the KIT is either returned to the point of purchase for collection and shipment back to Excellent (for regeneration), or sorted according to the recommendations in your local area.



Plastic bag: Recycled as clear LDPE plastic.



Cardboard box: Recycled as cardboard.



Brochure and instruction: Recycled as paper after end use.

