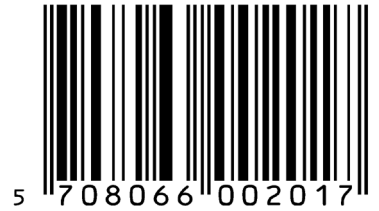


RAMP KIT 2 PLATFORM

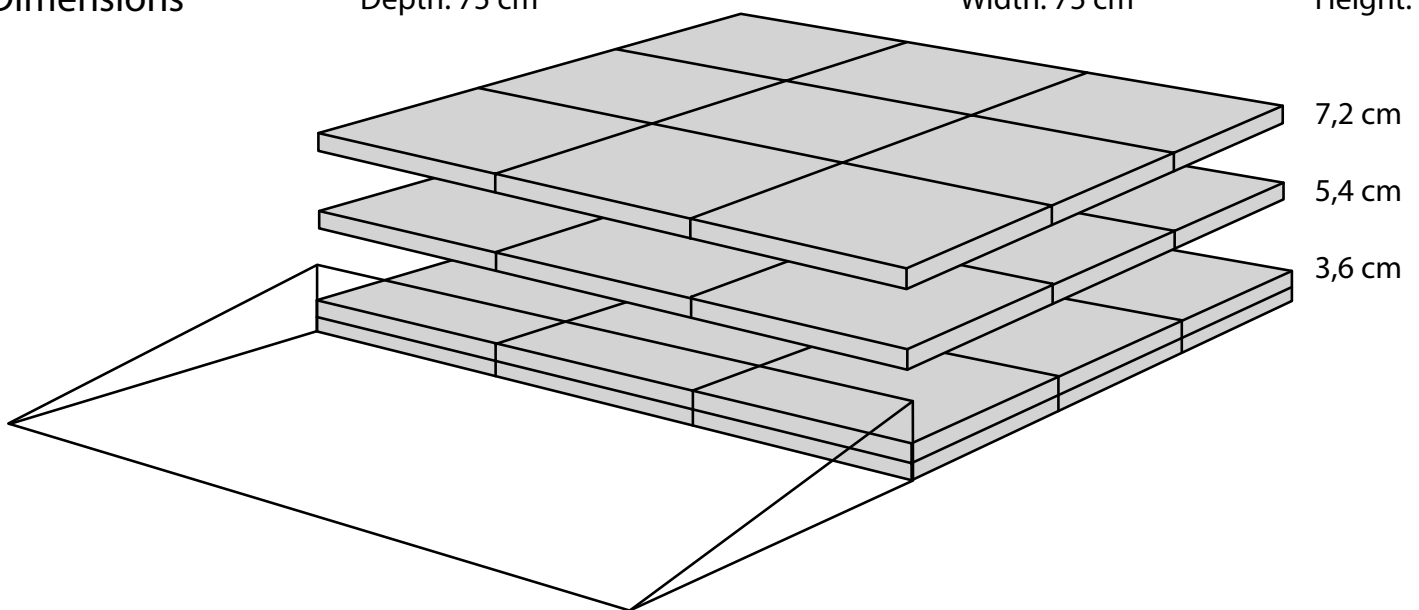


Dimensions

Depth: 75 cm

Width: 75 cm

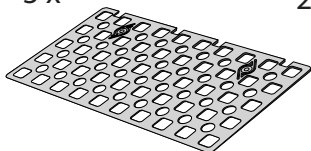
Height:



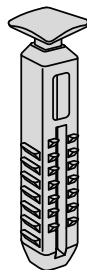
Build together with the Ramp Kit 2, the height can be adjusted up to 8,8 cm

Included

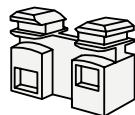
3 x



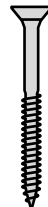
25 x



24 x



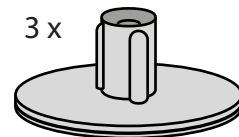
3 x



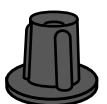
3 x



3 x



9 x



Mounted under the platform

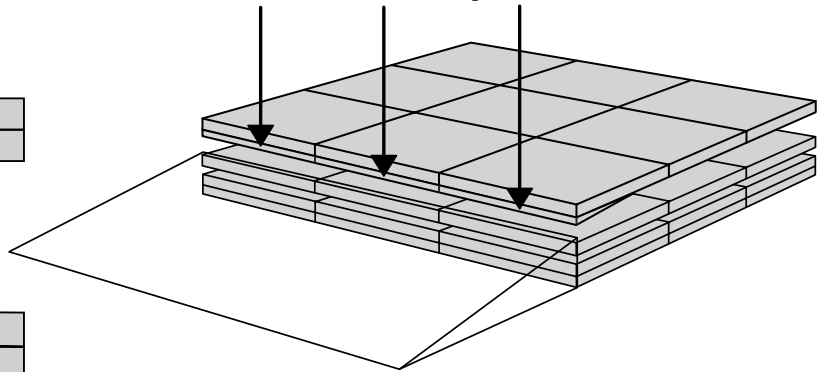
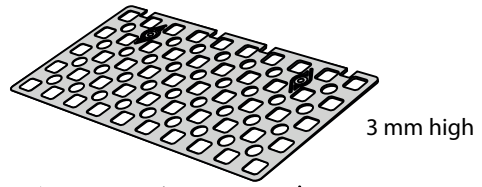
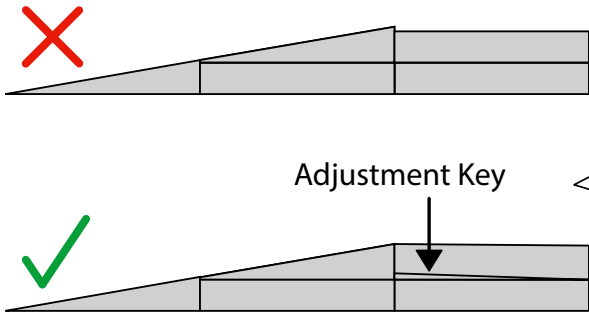


Danish Design Pat. Pend. and produced
in Denmark by Excellent Systems A/S

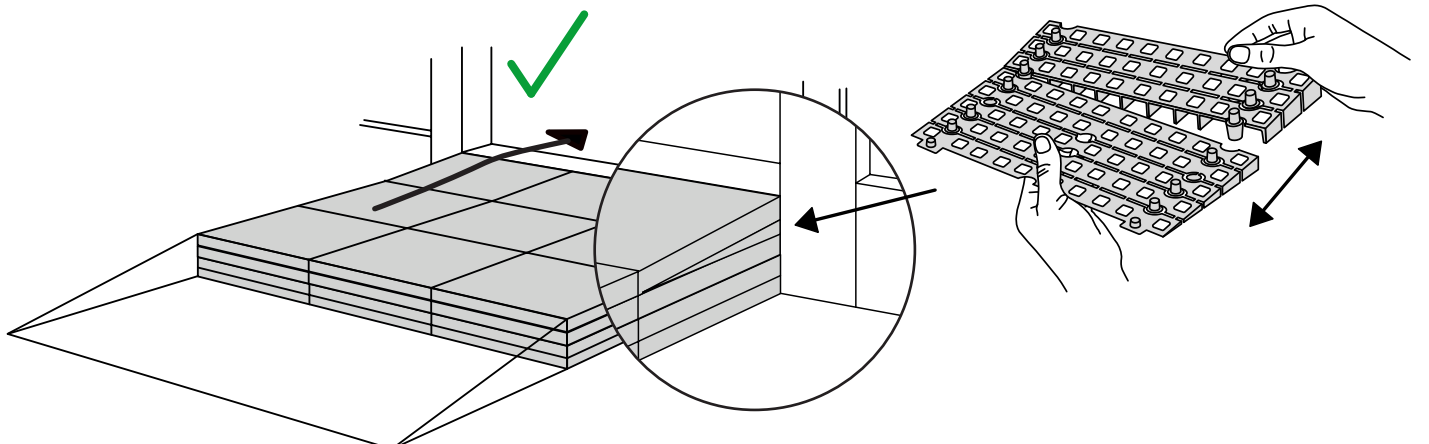
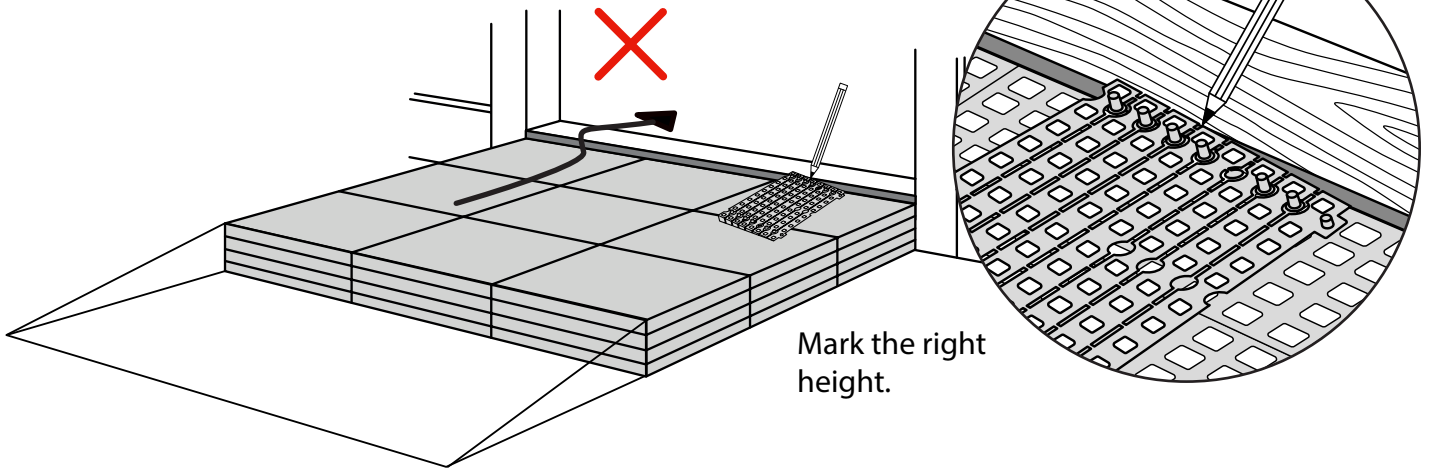
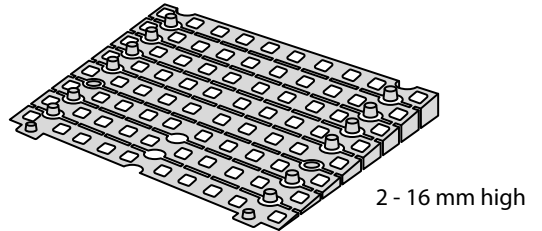
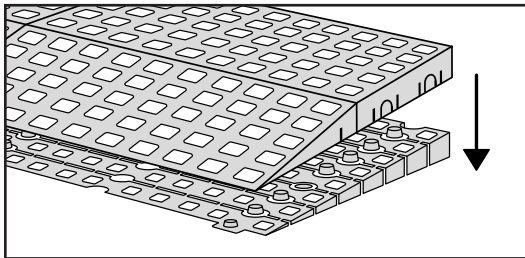


HEIGHT ADJUSTMENTS

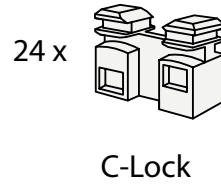
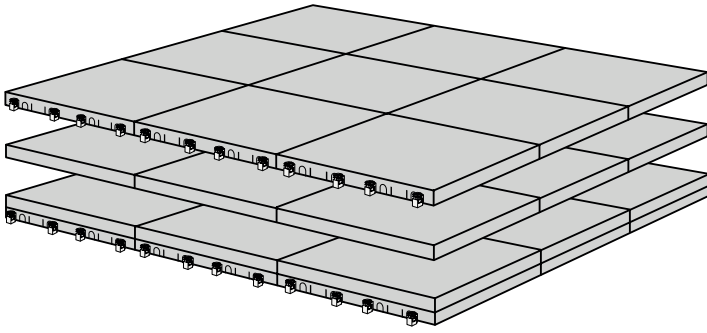
The Adjustment Key equalizes the height difference between platform and ramp.



When you connect a platform and a ramp, remove the Ramp Adjuster from the ramp, and use it to adjust the platform as shown here:

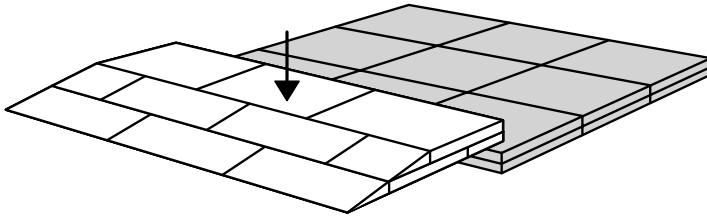


PLACEMENT OF LOCKS

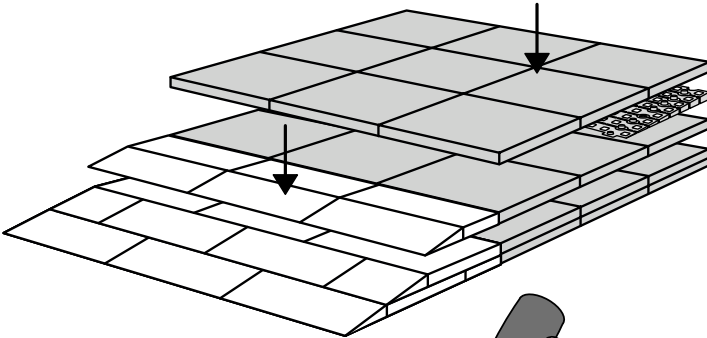


How to connect KIT and Platform:

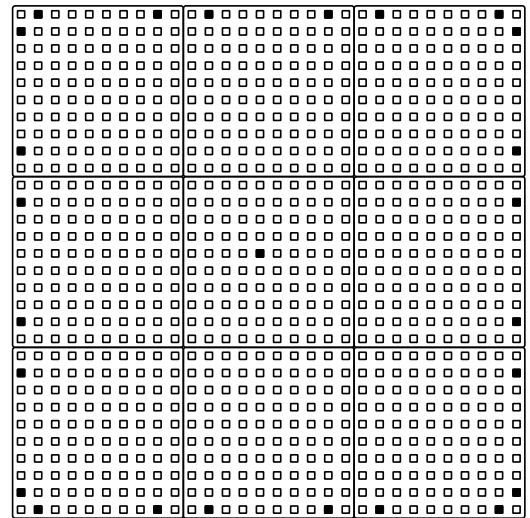
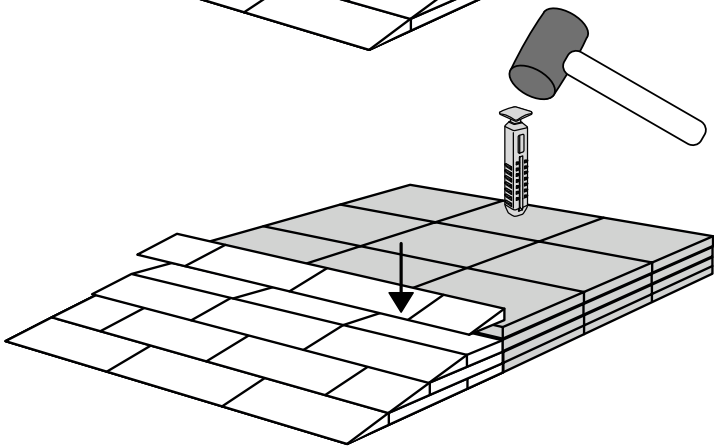
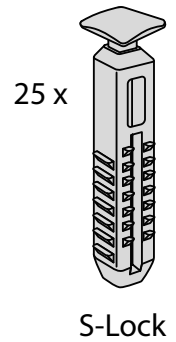
Locks in Ramp KIT:
See KIT instruction for placement of
Locks in the Ramp KIT.



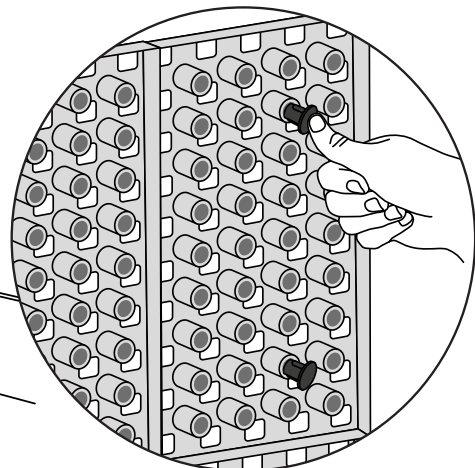
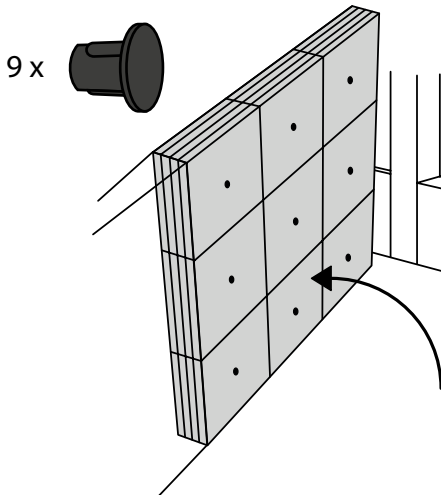
Locks in platform:
S-Lock is mounted on
the top layer.



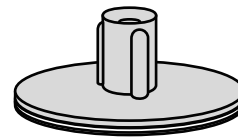
Use rubber hammer
(Not included)



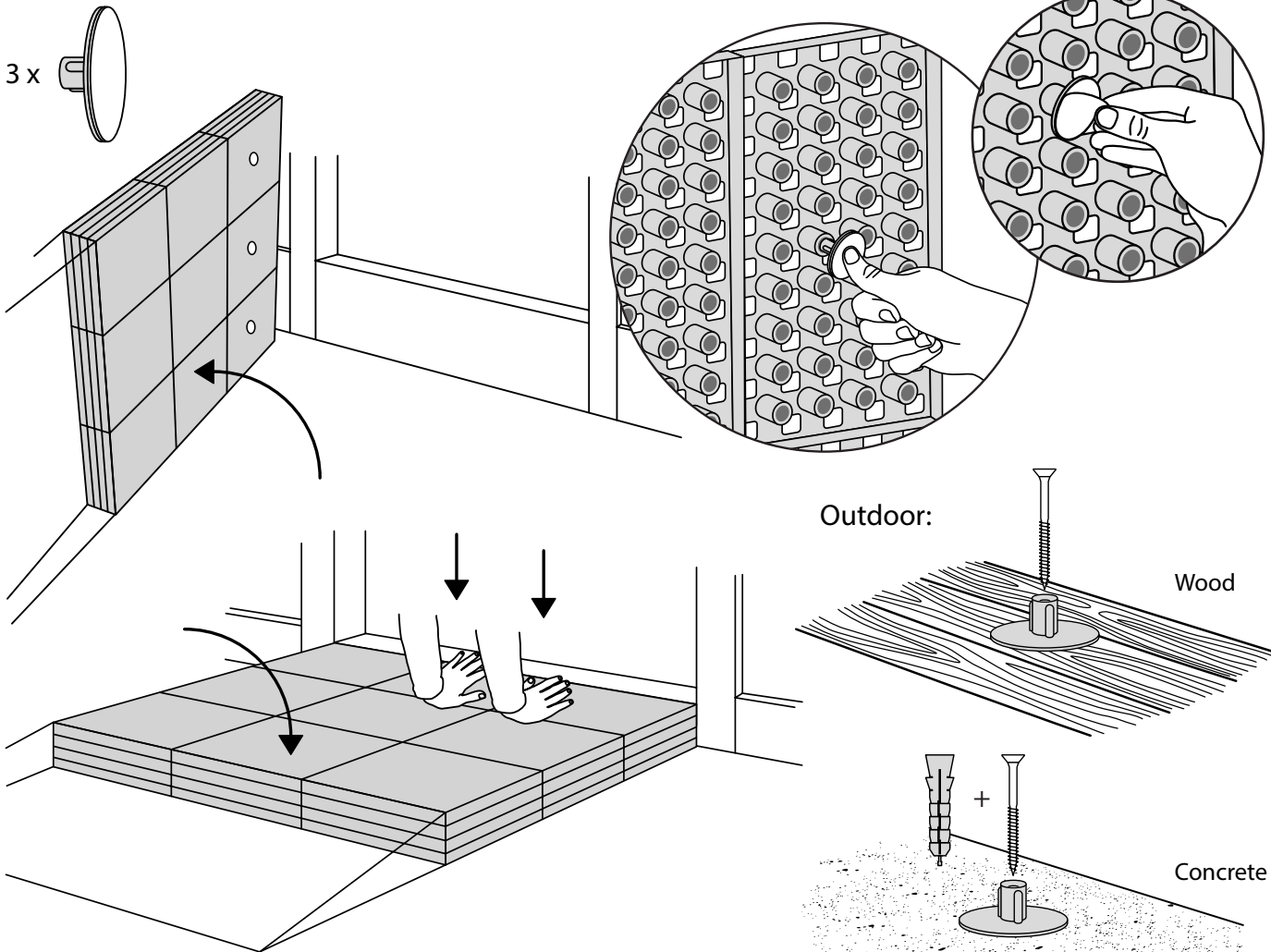
MOUNTIING WITH STOPPERS



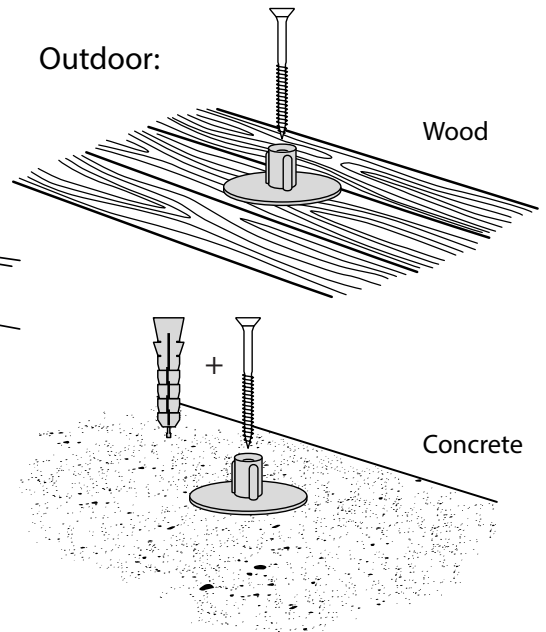
FASTENING WITH MOUNTING PADS



Indoor:



Outdoor:



DISPOSAL



KIT and KIT parts: These products are made from PE (Polyethylen). For disposal after use we encourage you to make sure that the KIT is either returned to the point of purchase for collection and shipment back to Excellent (for regeneration), or sorted according to the recommendations in your local area.



Plastic bag: Recycled as clear LDPE plastic.



Cardboard box: Recycled as cardboard.



Brochure and instruction: Recycled as paper after end use.

