

# RAMP KIT 1S PLATFORM

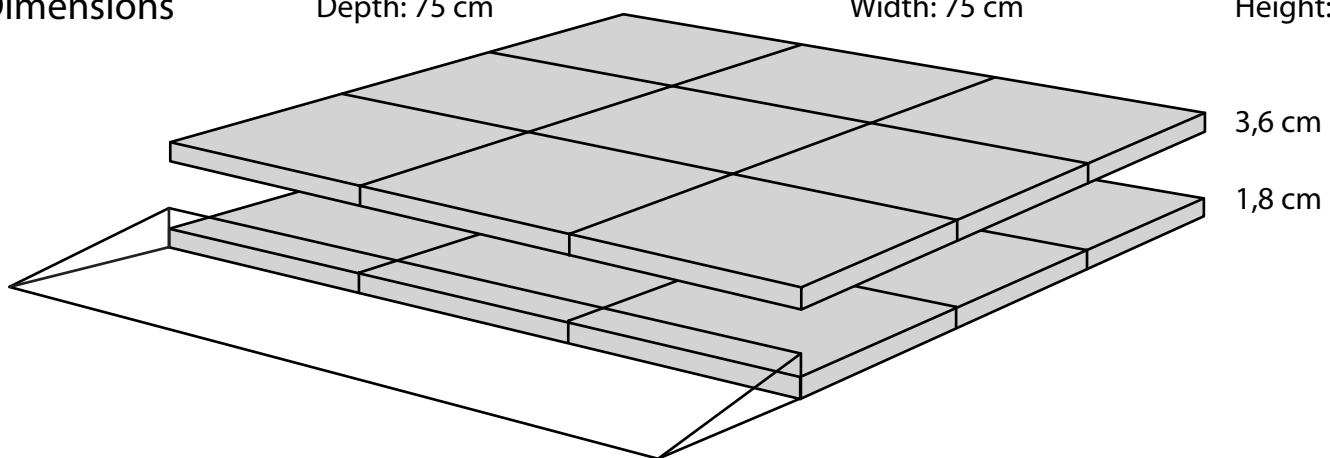


## Dimensions

Depth: 75 cm

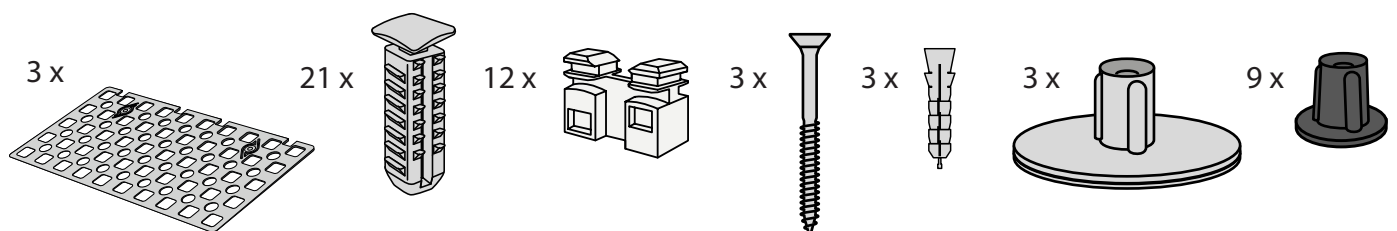
Width: 75 cm

Height:



Build together with the Ramp Kit 1, the height can be adjusted up to 5,2 cm

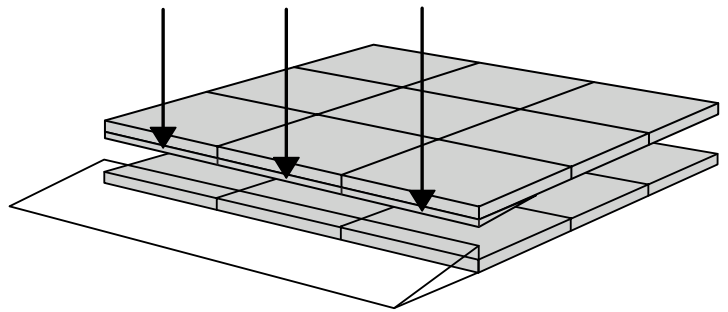
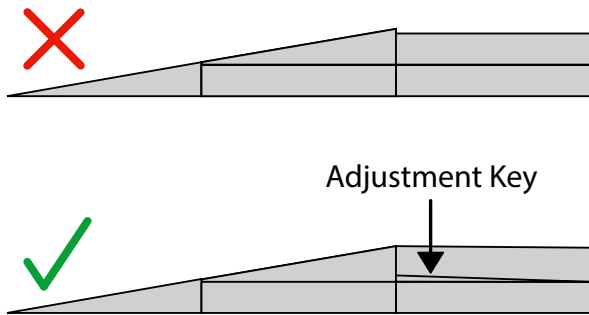
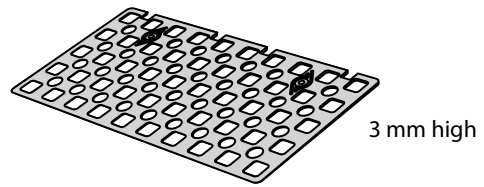
## Included



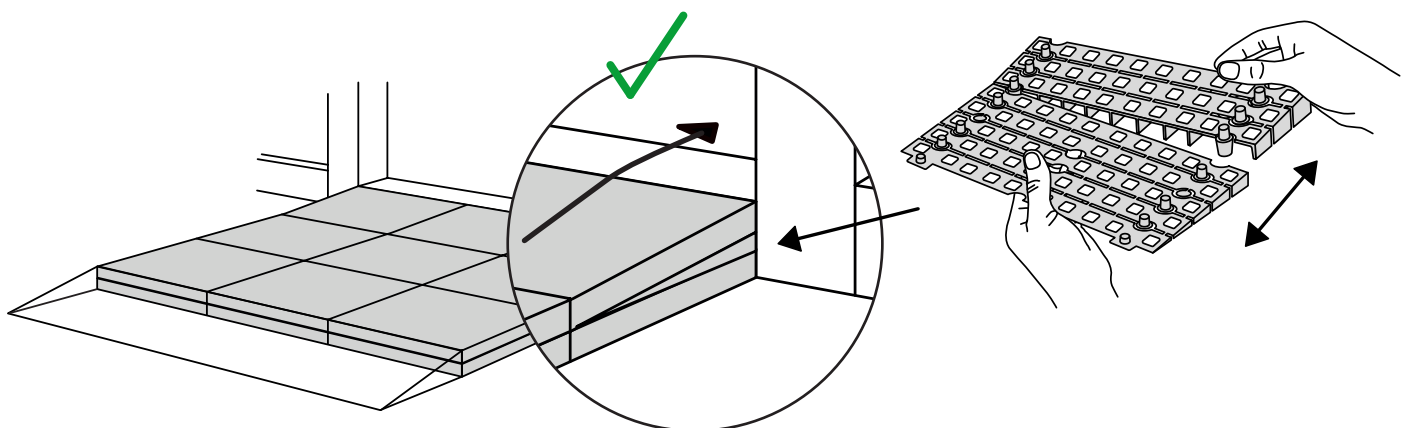
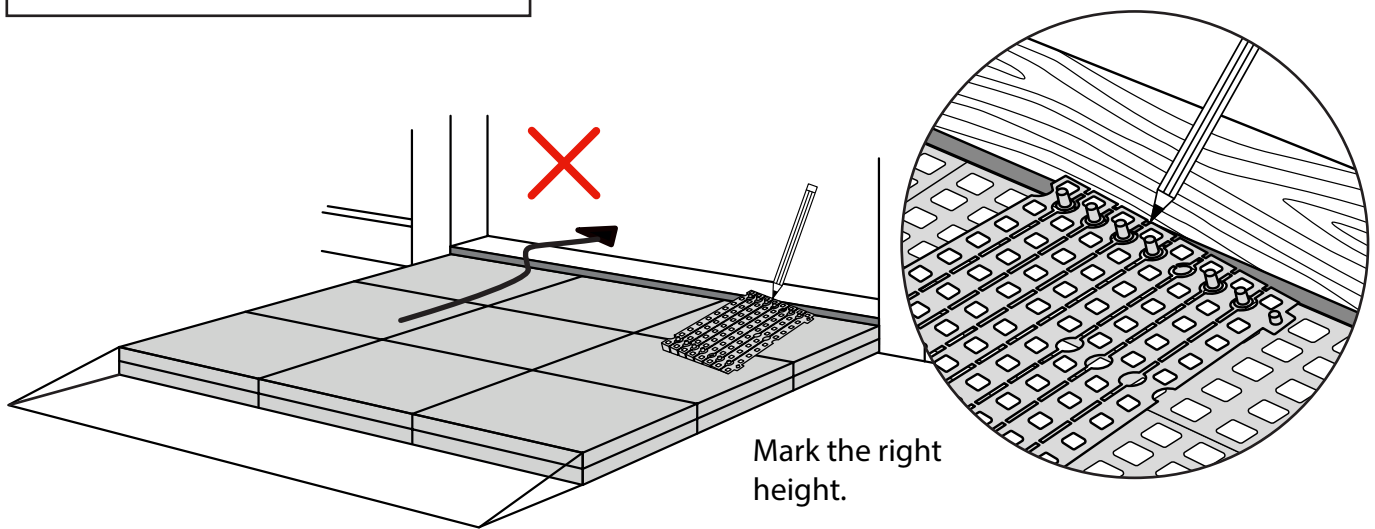
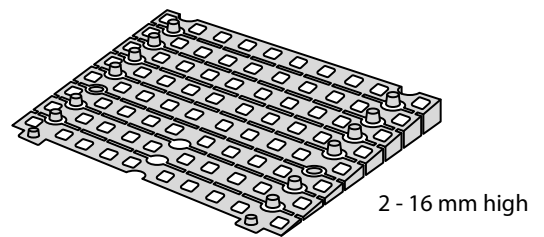
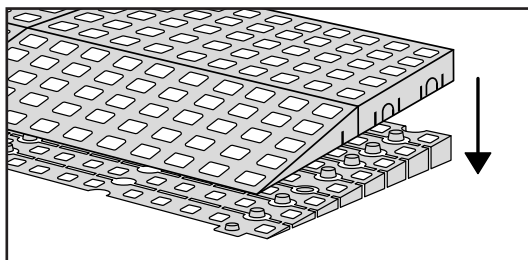
Mounted under the platform

# HEIGHT ADJUSTMENTS

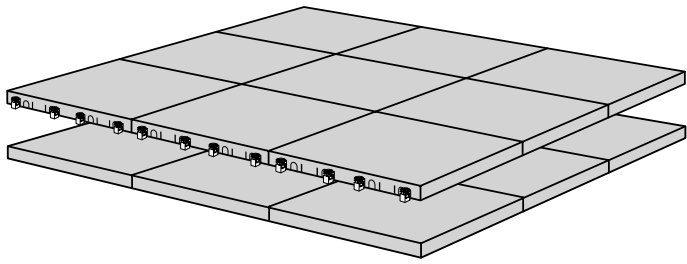
The Adjustment Key equalizes the height difference between platform and ramp.



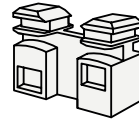
When you connect a platform and a ramp, remove the Ramp Adjuster from the ramp, and use it to adjust the platform as shown here:



# PLACEMENT OF LOCKS

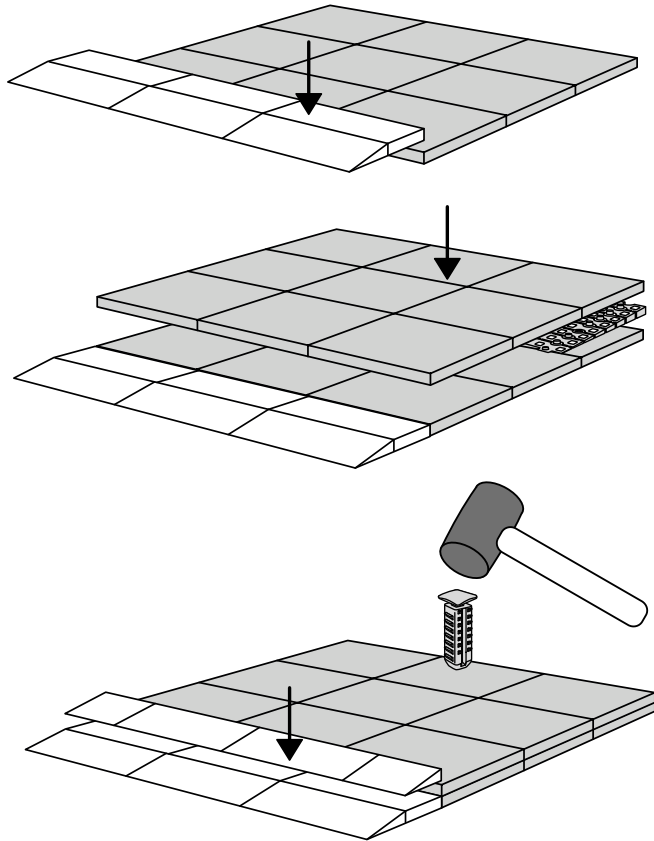


12 x



C-Lock

How to connect KIT and Platform:



Locks in Ramp KIT:

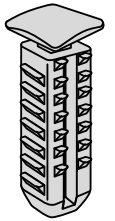
See KIT instruction for placement of Locks in the Ramp KIT.

Locks in platform:

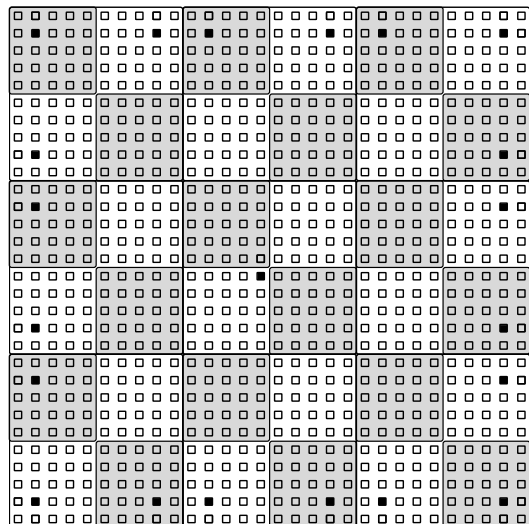
S-Lock is mounted on the top layer.

Use rubber hammer (Not included)

21 x



T-Lock



# MOUNTING WITH STOPPERS

9 x

