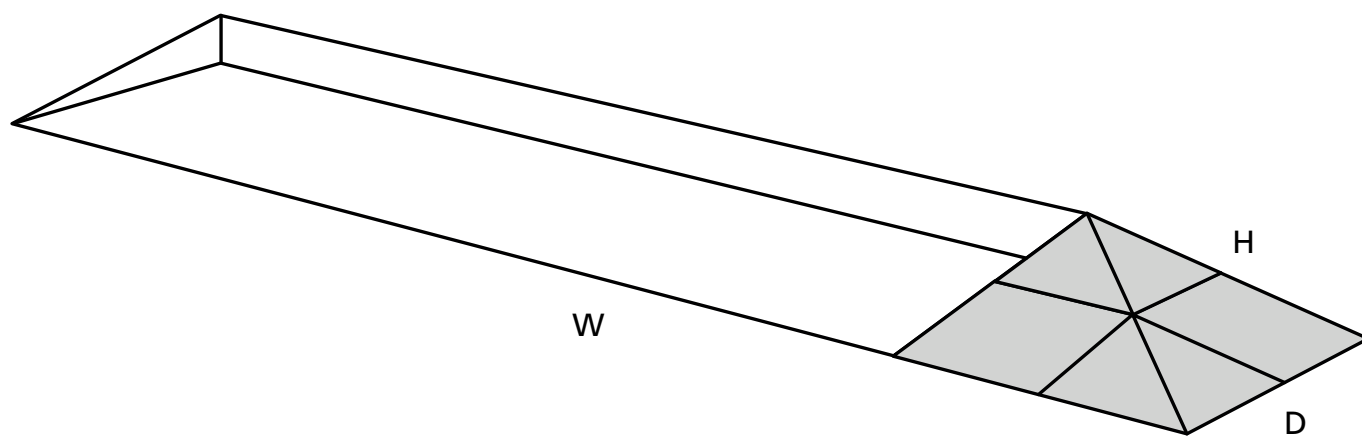


RAMP KIT 1 CORNER

Height: 1,8 - 5,5 cm

Width: 25 cm

Depth: 25 cm



Included

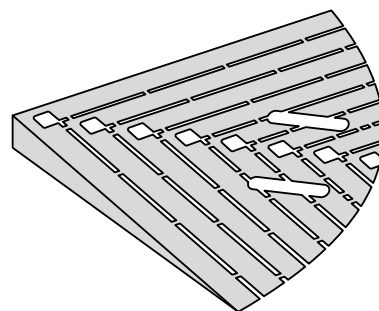
4 x



3 x



1 x

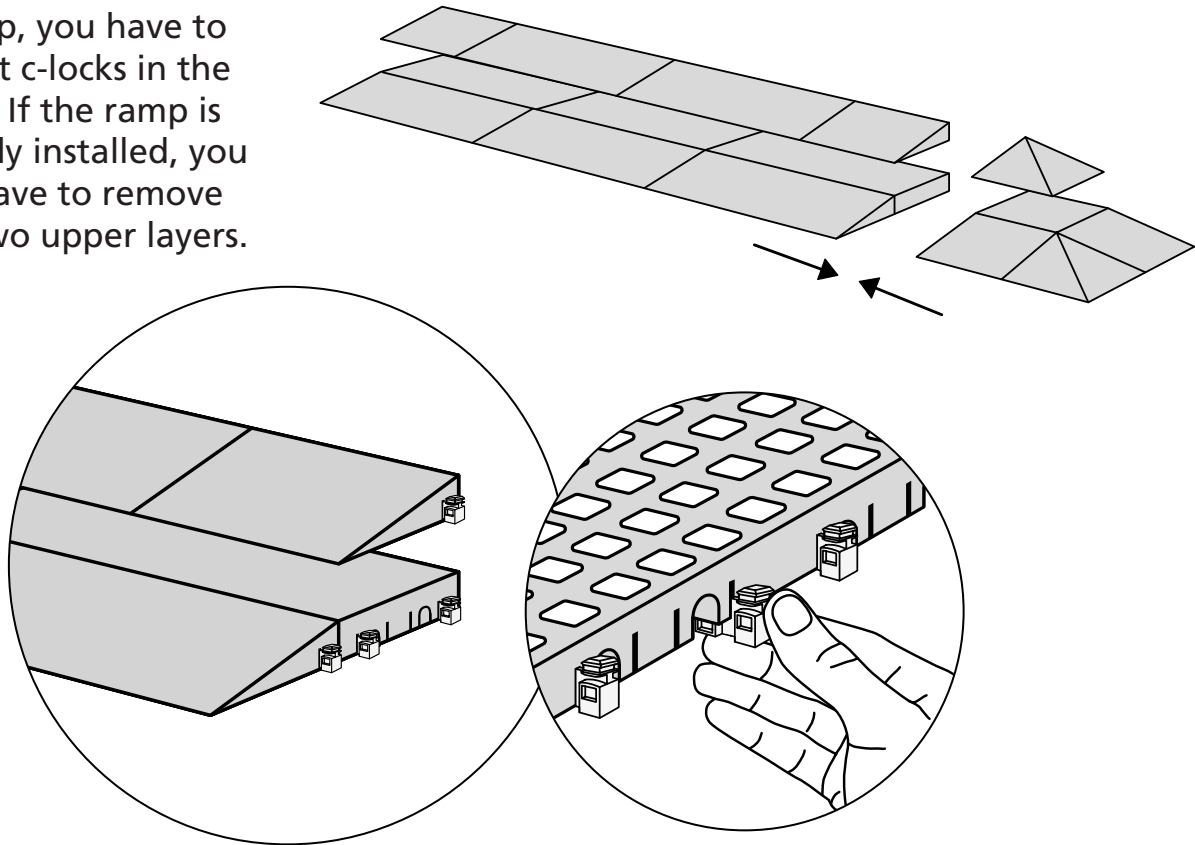


Danish Design Pat. Pend. and produced
in Denmark by Excellent Systems A/S



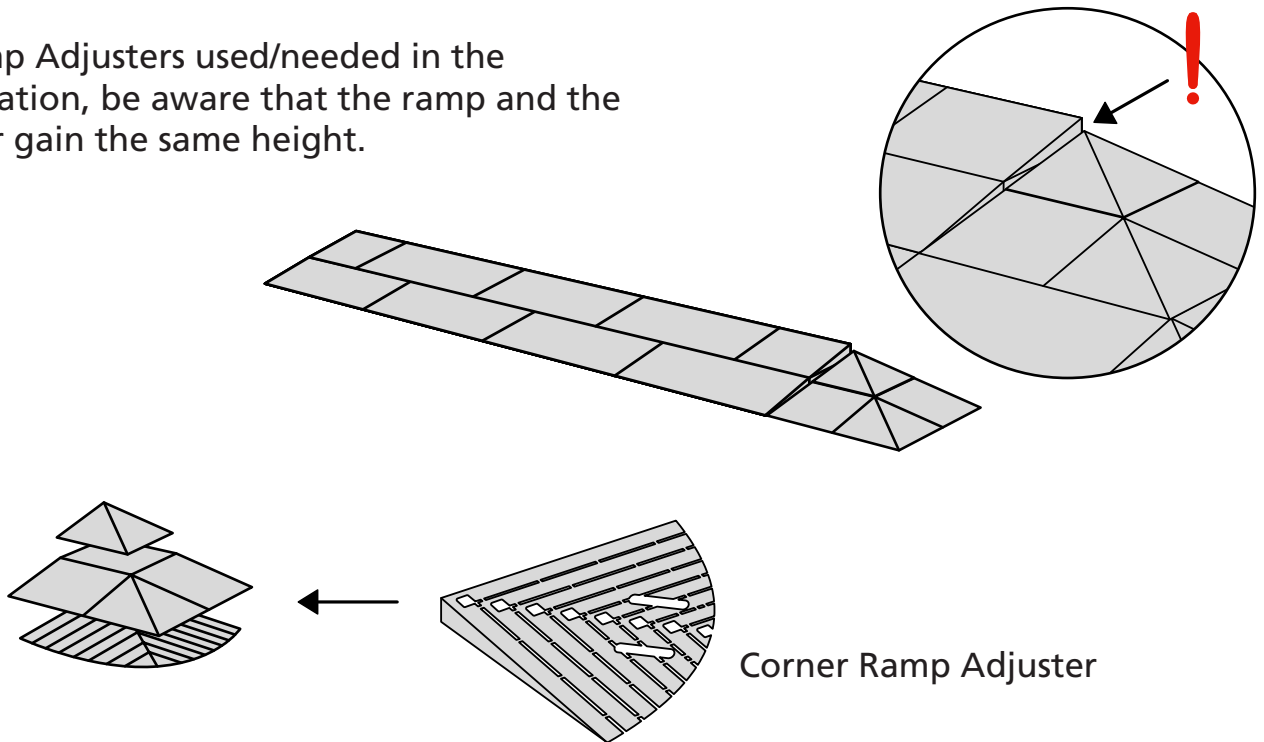
MOUNTING OF C-LOCKS ON THE RAMP

To connect a corner to a ramp, you have to mount c-locks in the ramp. If the ramp is already installed, you will have to remove the two upper layers.

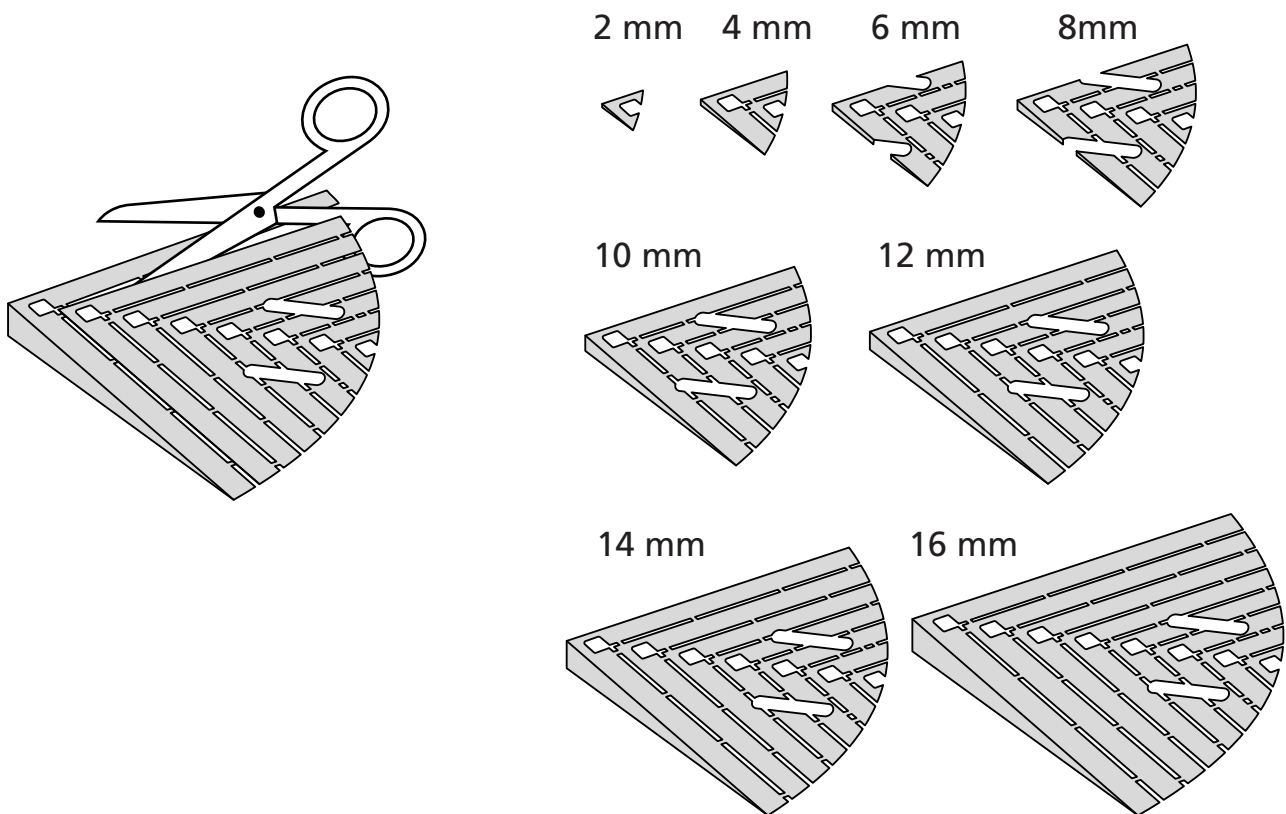


CORNER RAMP ADJUSTER

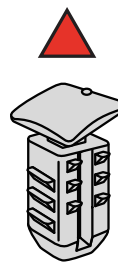
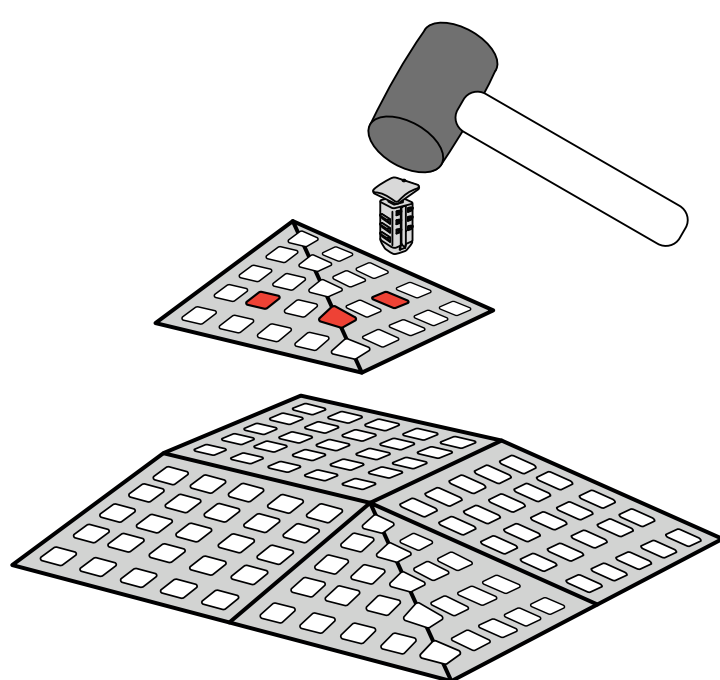
Is Ramp Adjusters used/needed in the installation, be aware that the ramp and the corner gain the same height.



Corner Ramp Adjuster height adjustments:



MOUNTING WITH LOCKS

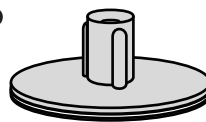


Rubber hammer
Not included

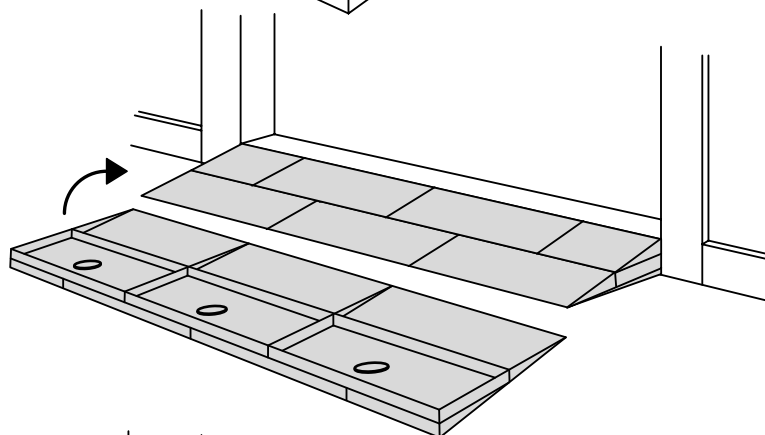
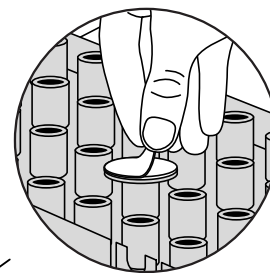
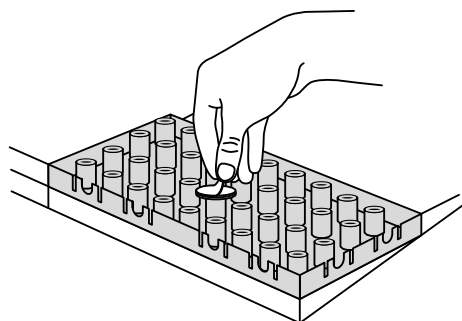
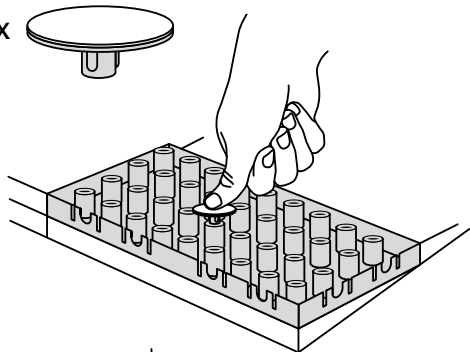
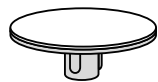
For mounting of Locks in the
ramp, see the KIT instruction

FASTENING WITH MOUNTING PADS

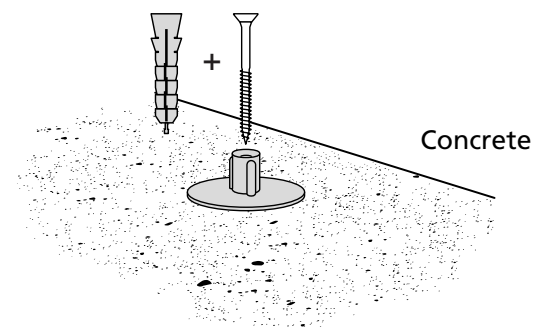
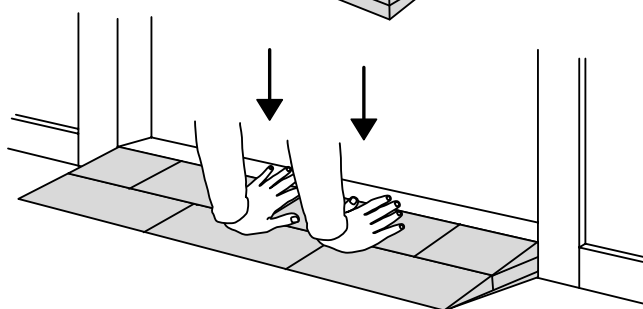
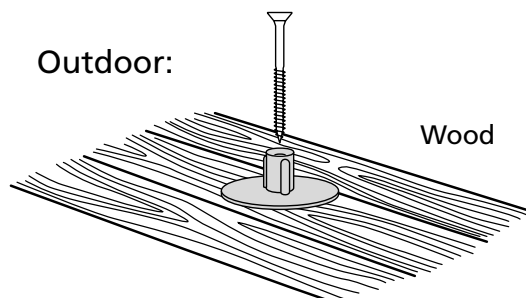
Same instruction as for Ramp KITS.



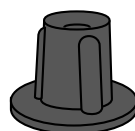
3 x



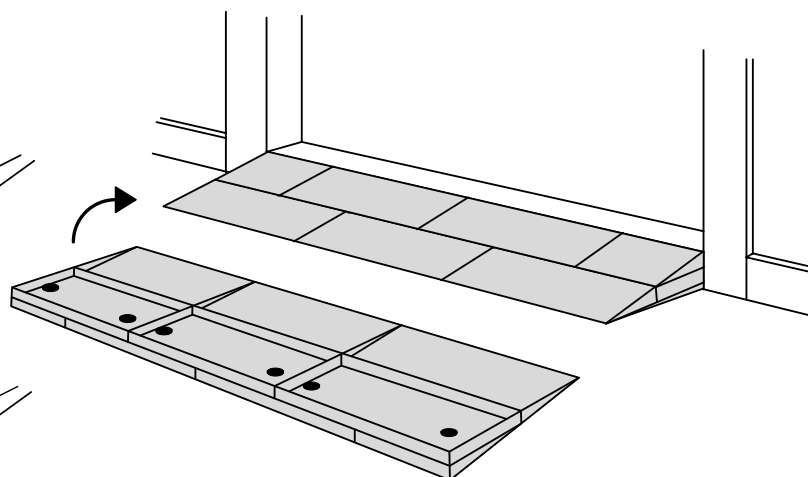
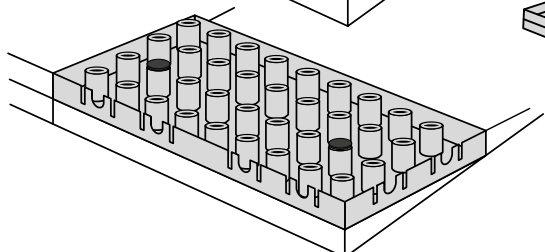
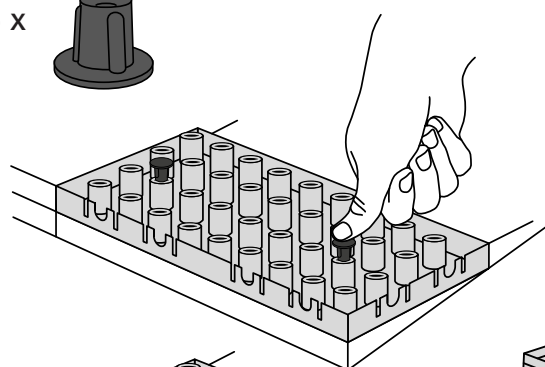
Outdoor:



FASTENING WITH STOPPERS



6 x



info@ex-as.com | Møllevvej 2 - 8544 Mørke - DK | +45 86377133