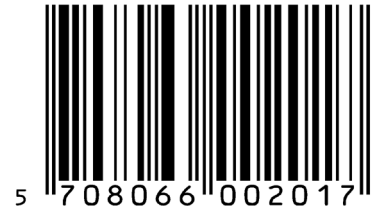


RAMP KIT 2 PLATFORM

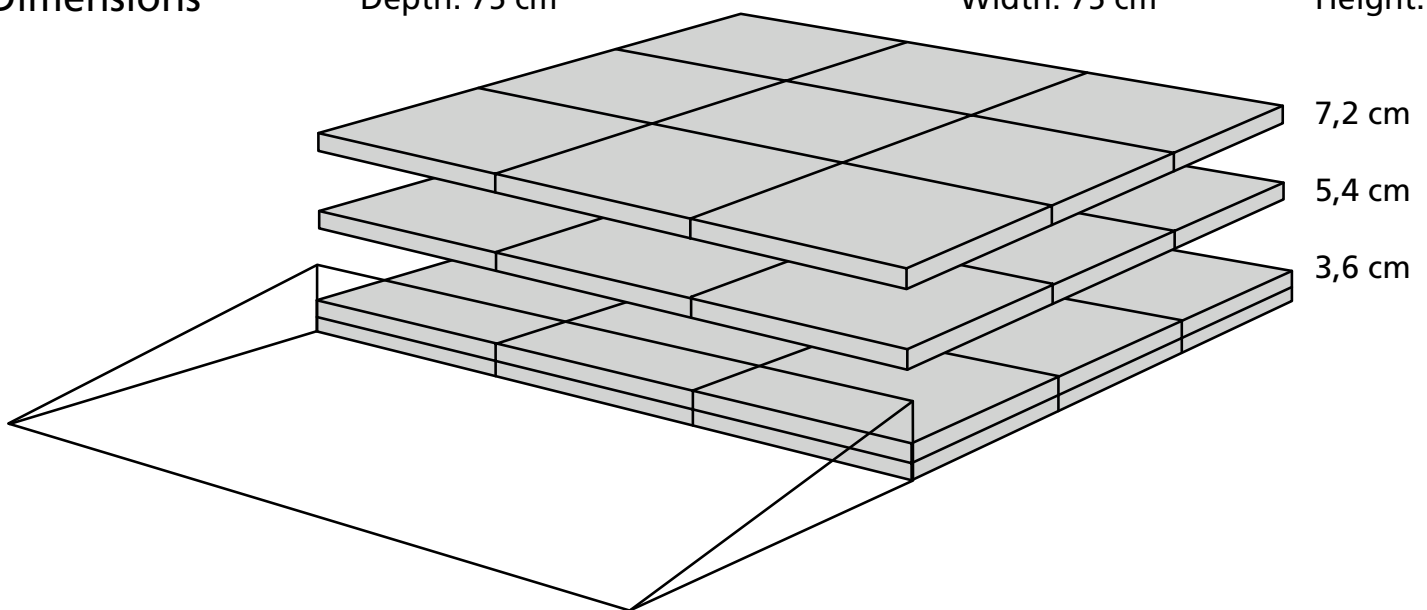


Dimensions

Depth: 75 cm

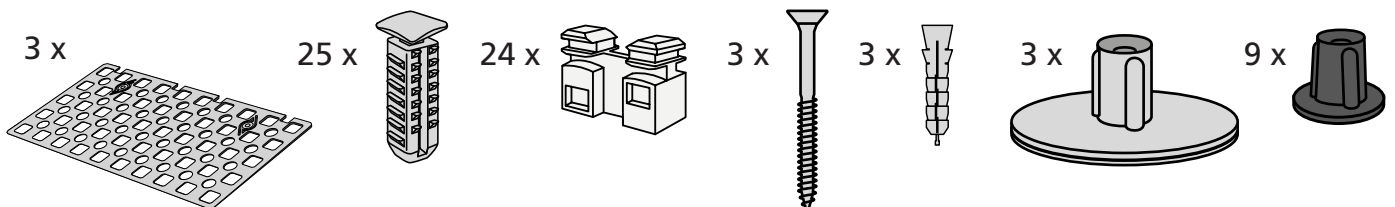
Width: 75 cm

Height:



Build together with the Ramp Kit 2, the height can be adjusted up to 8,8 cm

Included



Mounted under the platform

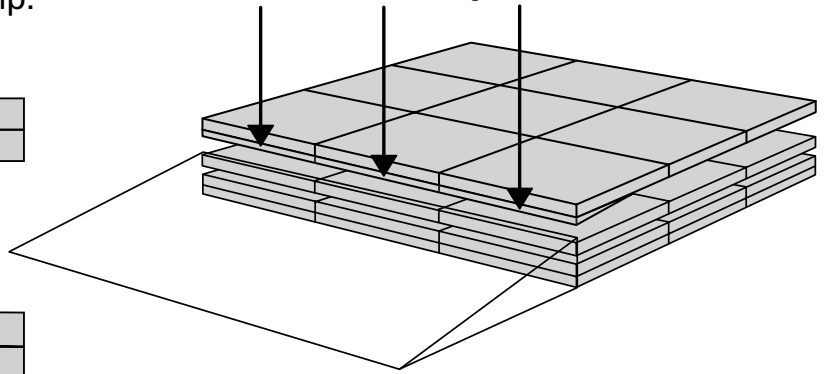
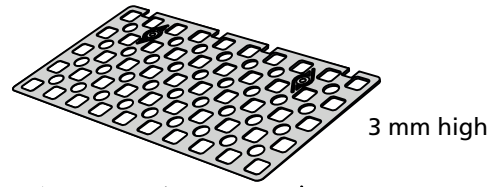
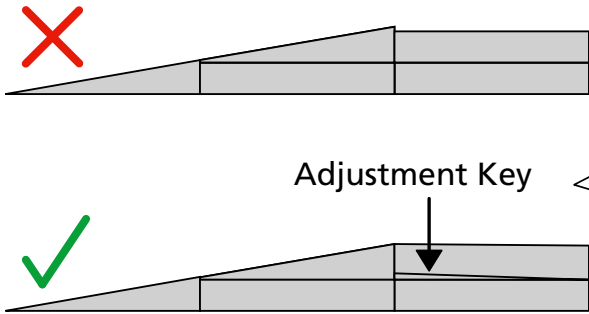


Danish Design Pat. Pend. and produced in Denmark by Excellent Systems A/S

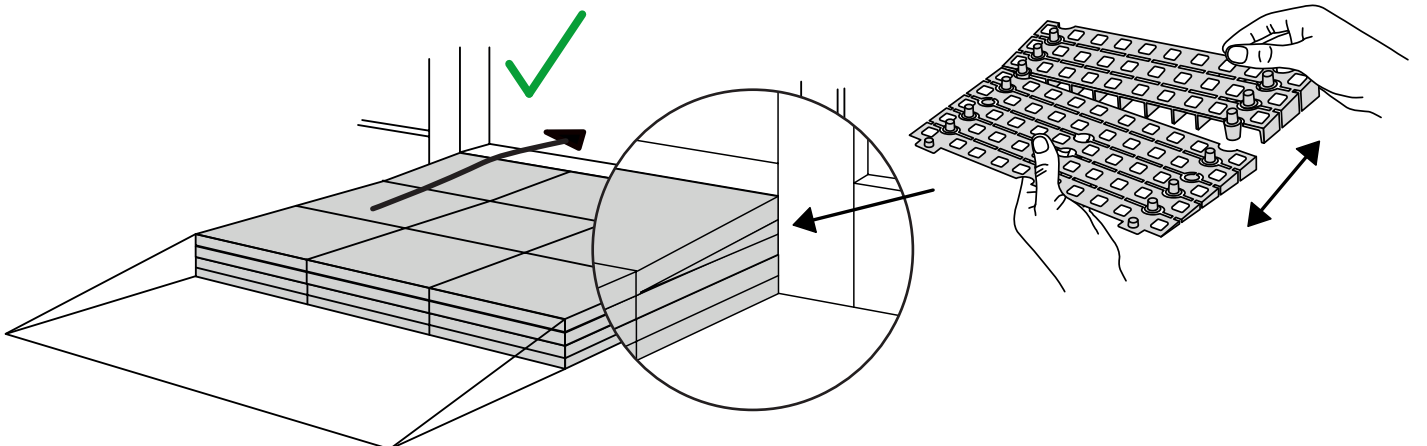
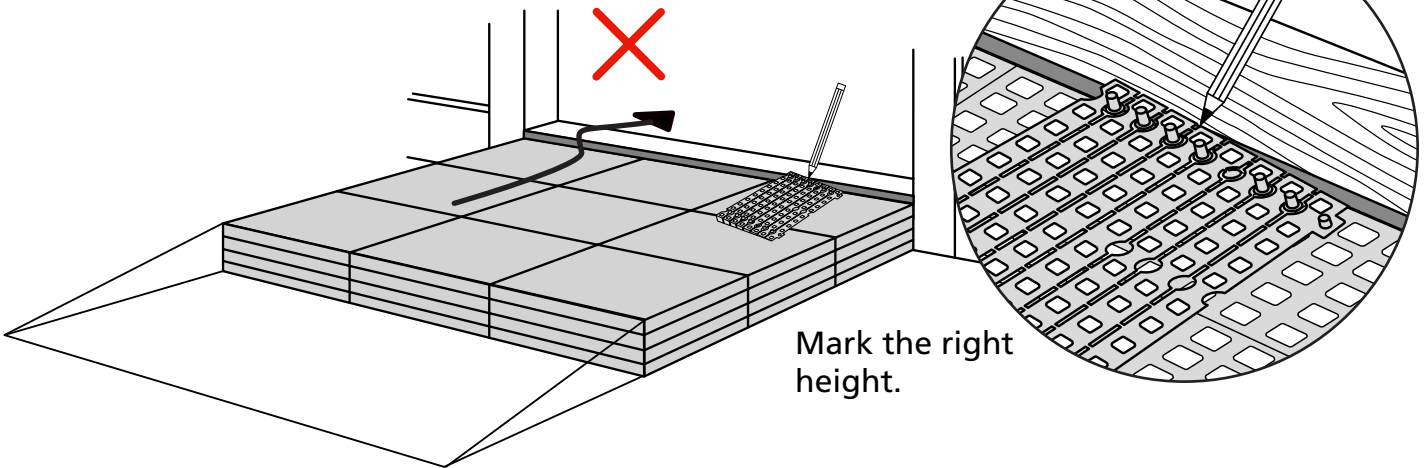
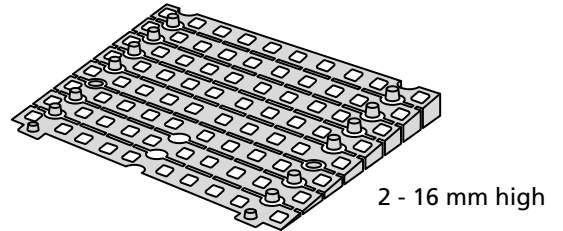
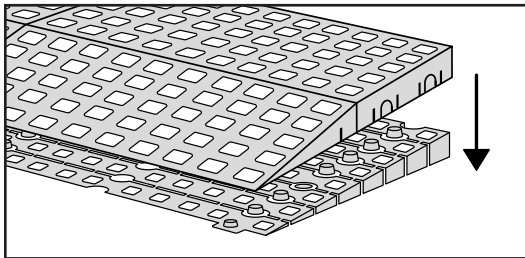


HEIGHT ADJUSTMENTS

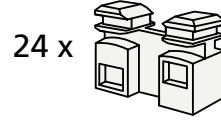
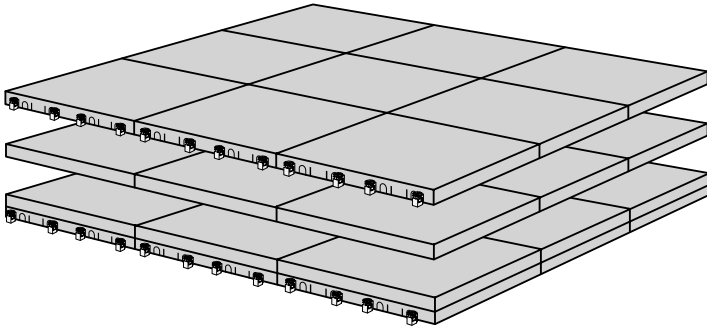
The Adjustment Key equalizes the height difference between platform and ramp.



When you connect a **platform** and a **ramp**, remove the **Ramp Adjuster** from the ramp, and use it to adjust the platform as shown here:



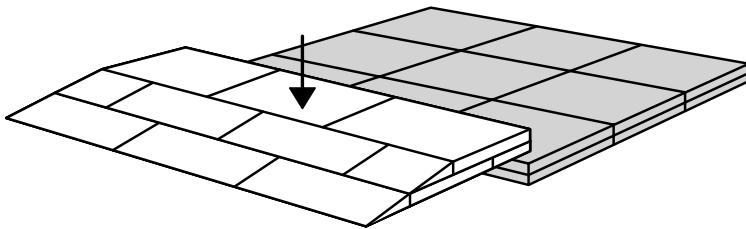
MOUNTING WITH LOCKS



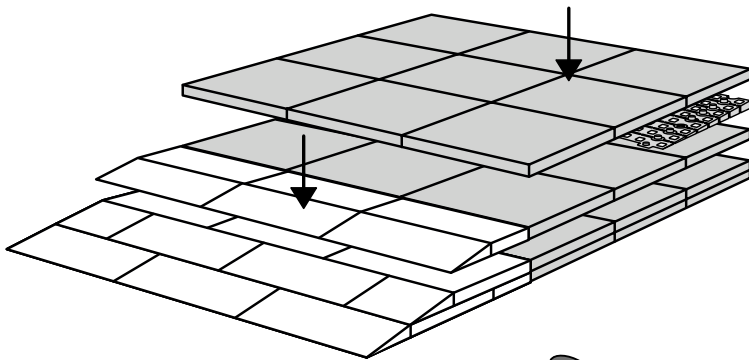
24 x

C-Lock

How to connect KIT and Platform:



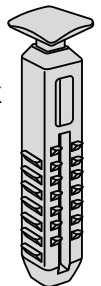
Locks in Ramp KIT:
See KIT instruction for placement
of Locks in the Ramp KIT.



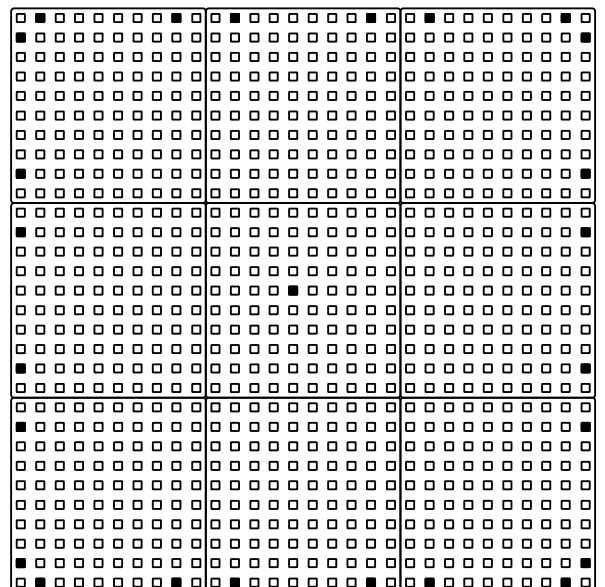
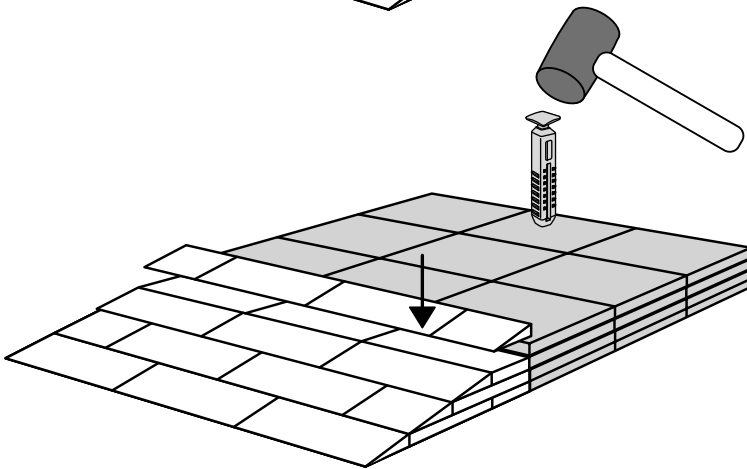
Locks in platform:
S-Lock is mounted
on the top layer.

25 x

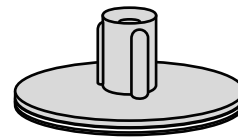
Use rubber hammer
(Not included)



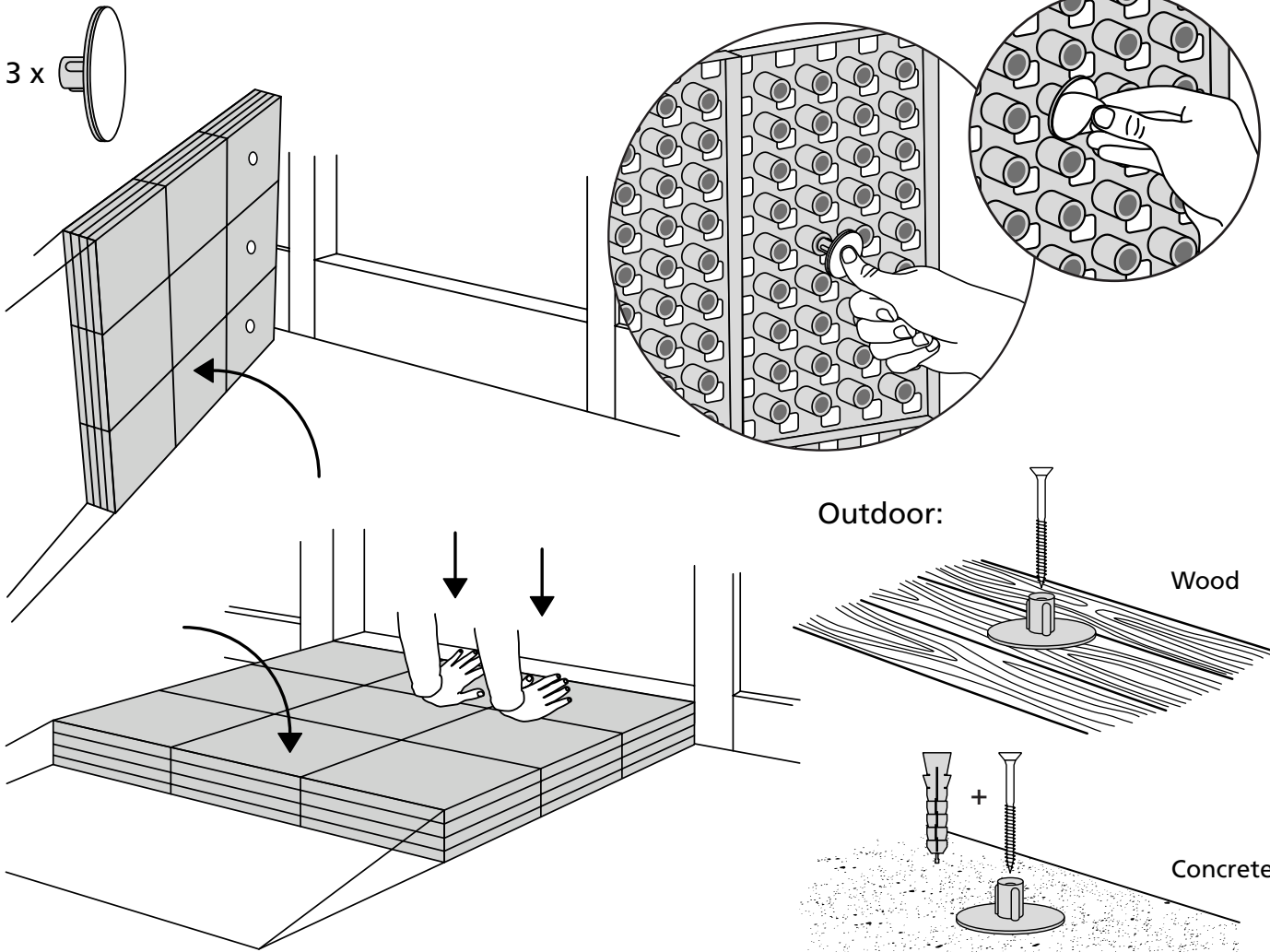
S-Lock



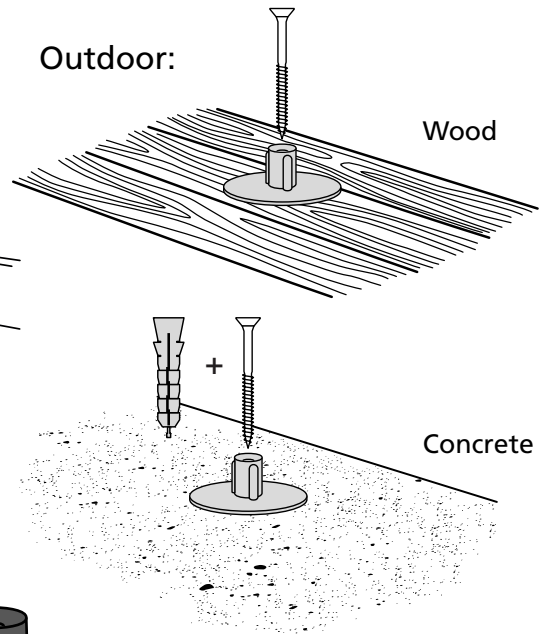
FASTENING WITH MOUNTING PADS



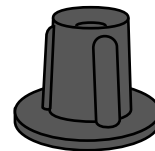
Indoor:



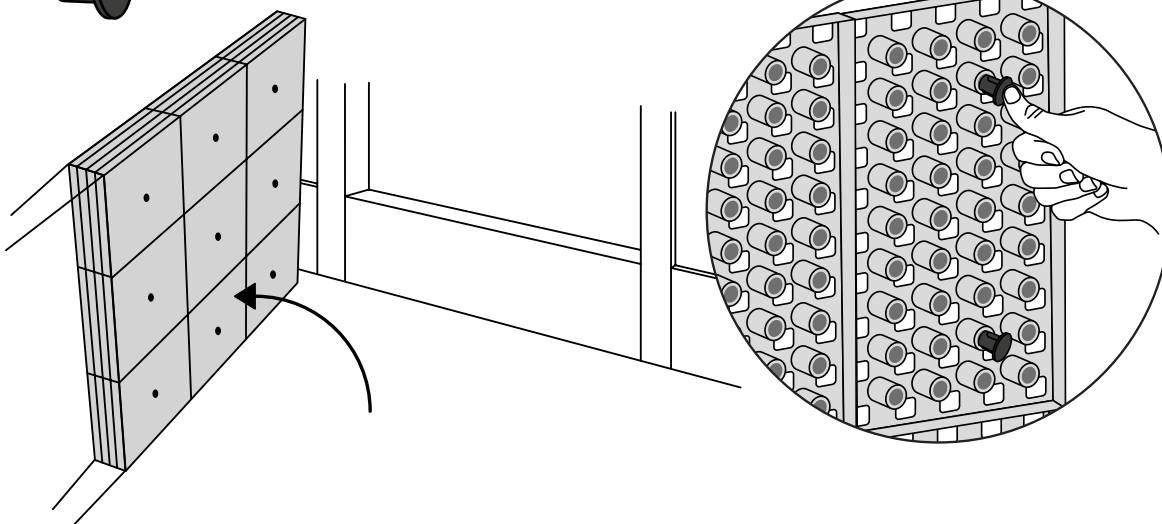
Outdoor:



MOUNTING WITH STOPPERS



9 x 



info@ex-as.com | Møllevvej 2 - 8544 Mørke - DK | +45 86377133