

The recyclable ramp solution

QUICKRAMPS

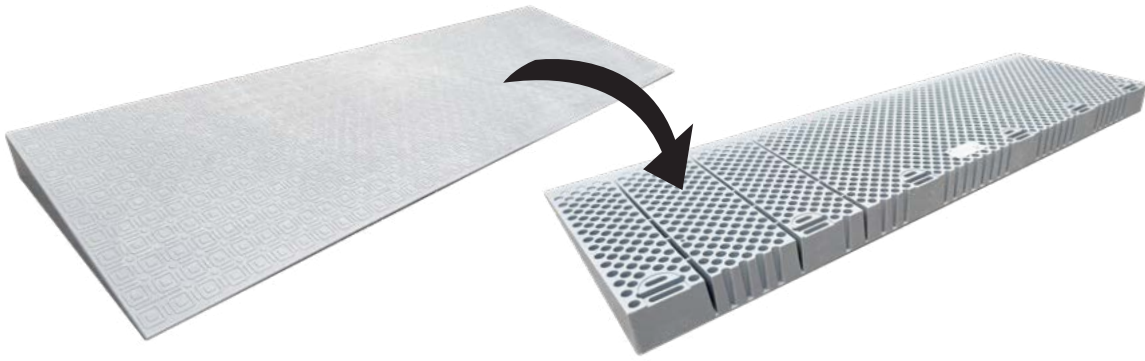
Now with QuickCuts!

Our threshold ramps are now
even easier to adjust

NEW!

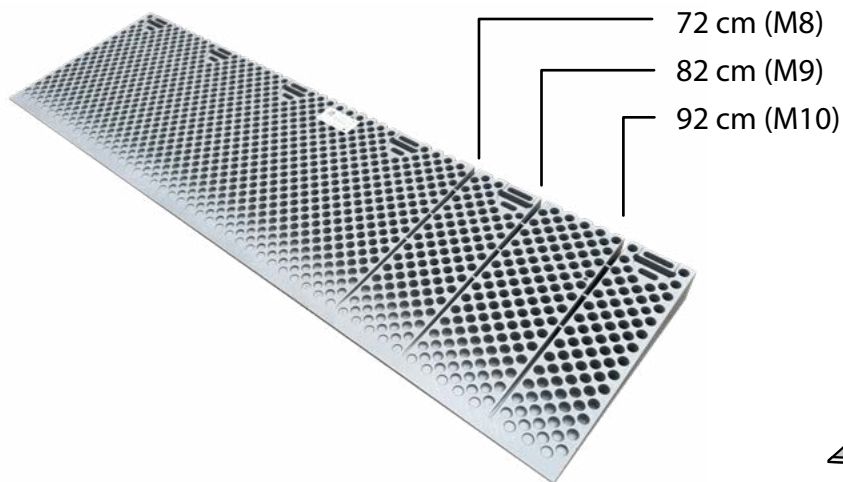


NEWS: QUICKCUTS

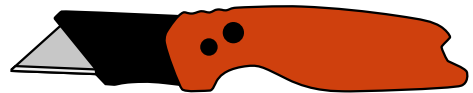


QuickRamps with QuickCuts

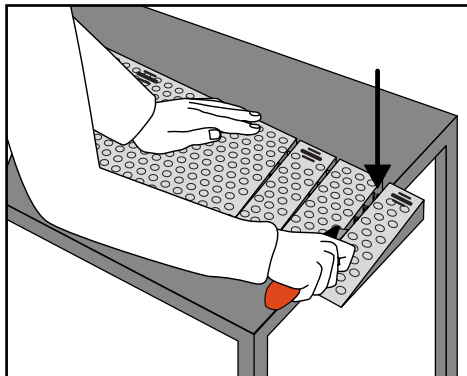
QuickRamp's standard width is 100 cm, but now the heights of 12-60 mm have three QuickCuts for even easier customization. The grooves are located underneath the QuickRamps, and the three selected sizes match standard door widths:



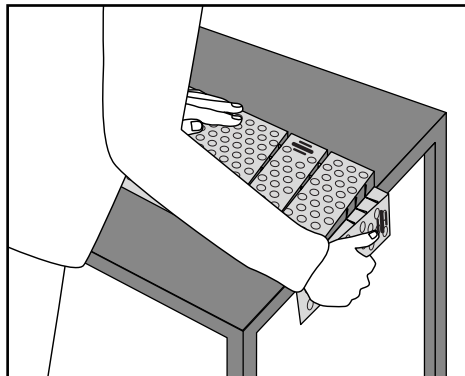
We recommend using this type of utility knife:



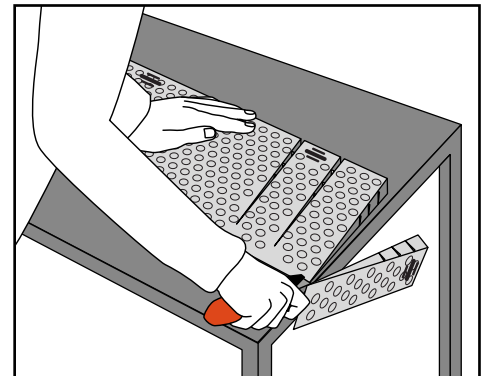
This is how you can easily cut with QuickCuts



Cut the supportive walls in the chosen groove.

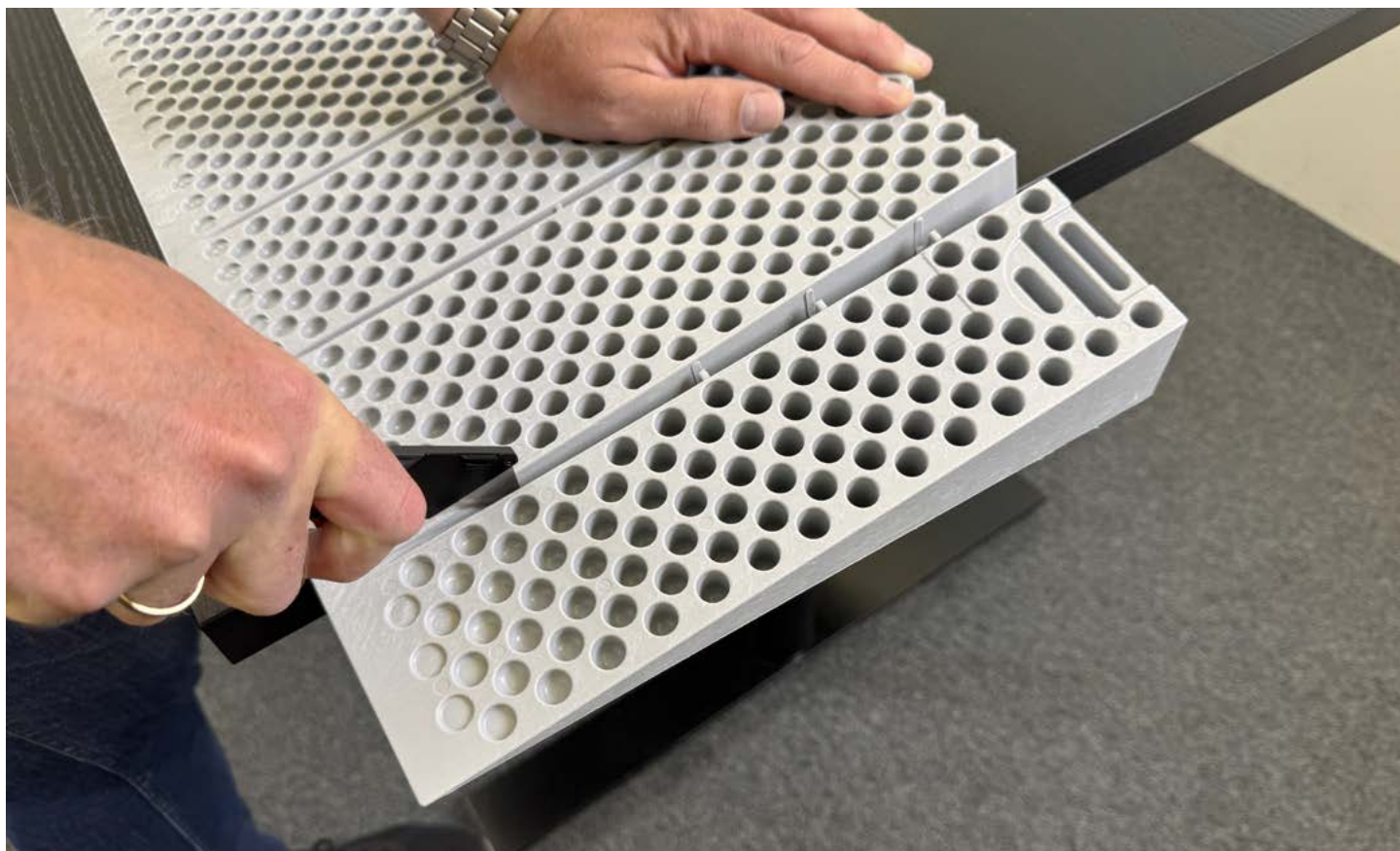


Bent down the ramp over a table/edge.



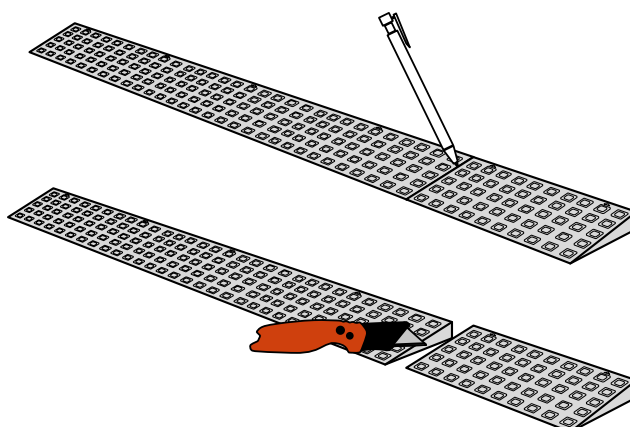
Cut through the ramp with one or two cuts.

QuickCuts video
See how easy it is:



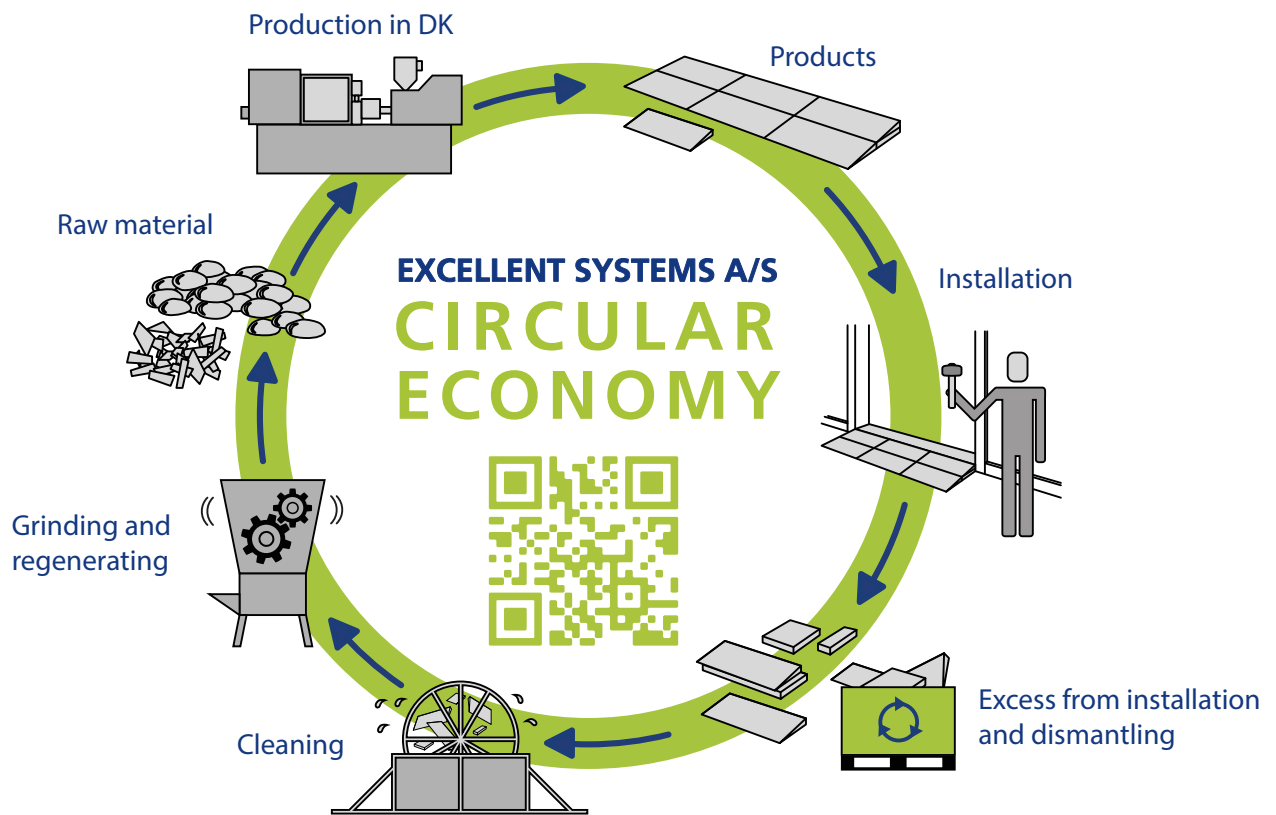
QuickRamps 4-18 mm

The lowest QuickRamps are still adjusted to the desired size. These can also be cut with a sharp utility knife.



DANISH PRODUCTION WITH CONSIDERATION FOR THE ENVIRONMENT

By recycling the PE for new products, we reduce the impact on the environment:



Materials

All products are manufactured from the material PE (Polyethylene) and are:

- 100% Non-toxic
- 100% PVC-free
- 100% Reusable
- 100% Odourless

PE- Products are aciduric and non-corrosic.