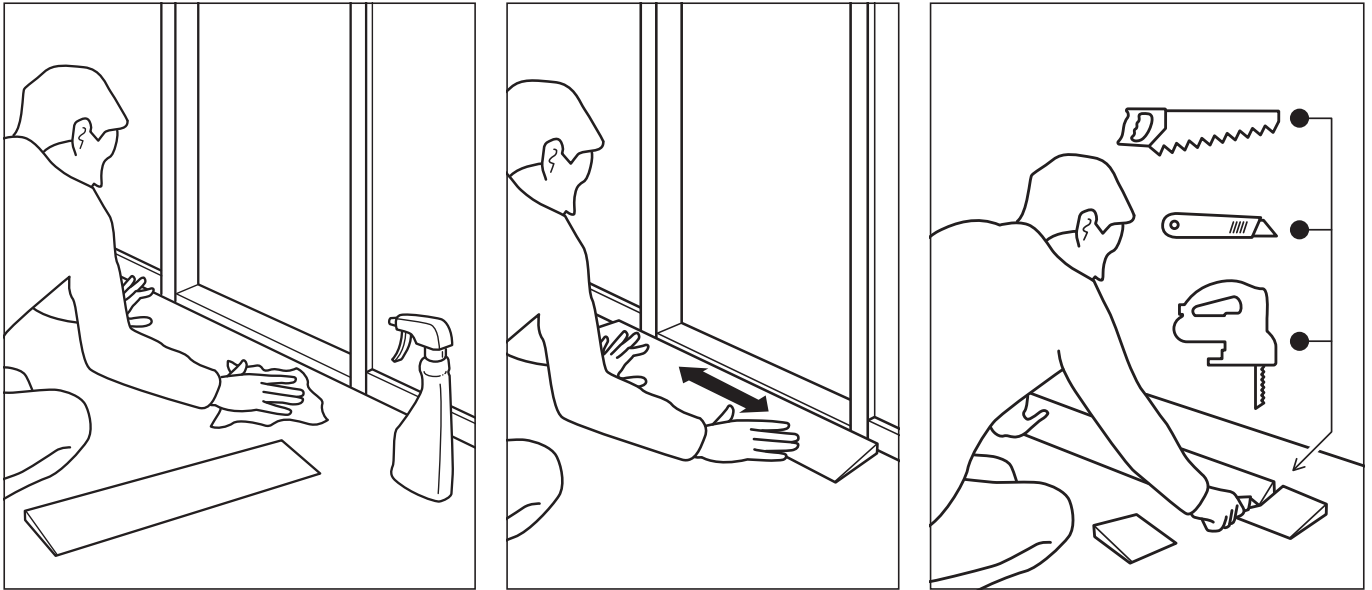
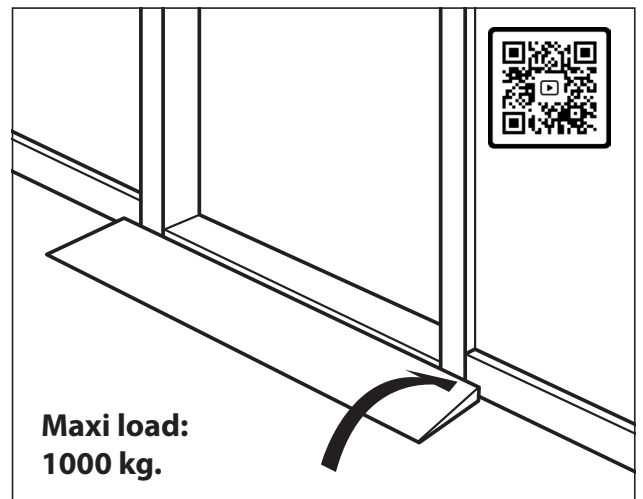
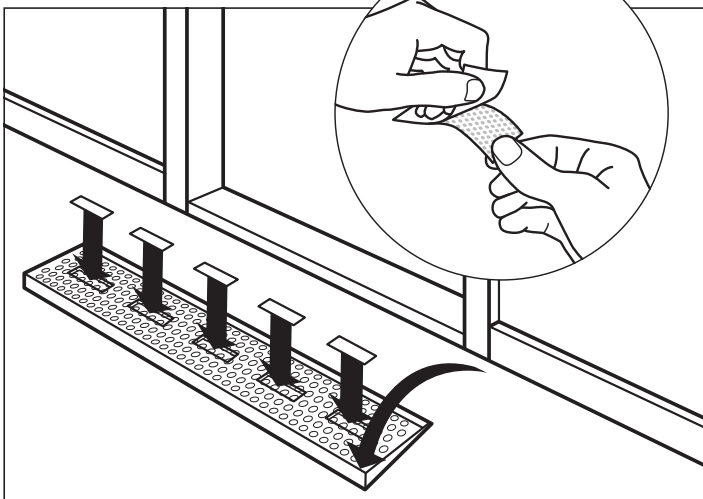


INSTALLATION GUIDE QUICKRAMP

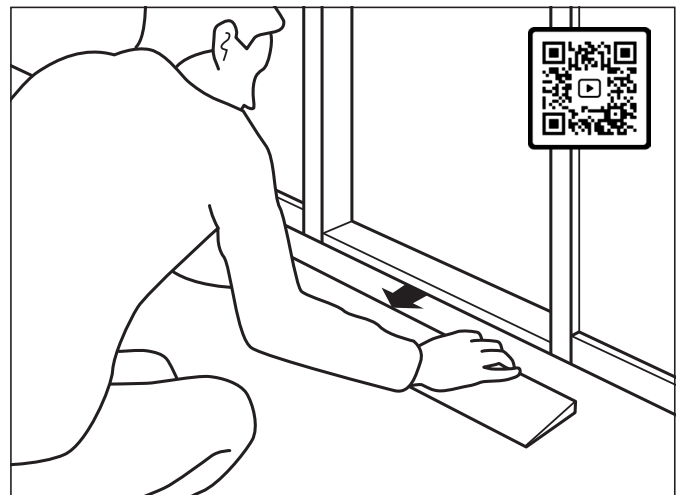


4-6-8 mm ↕

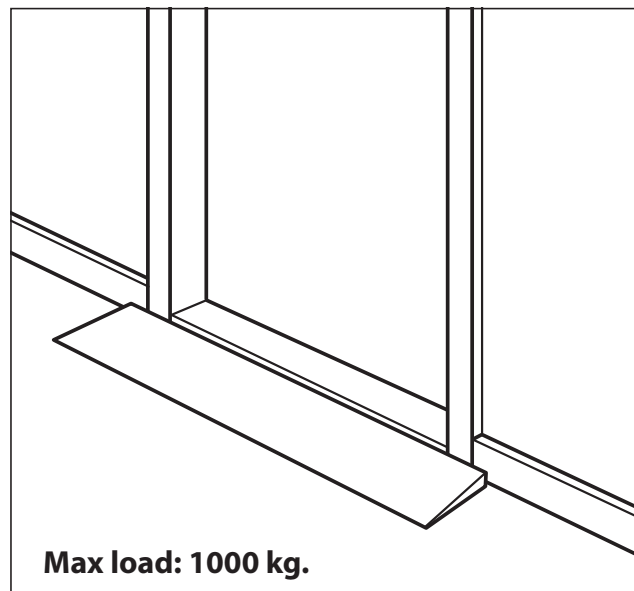
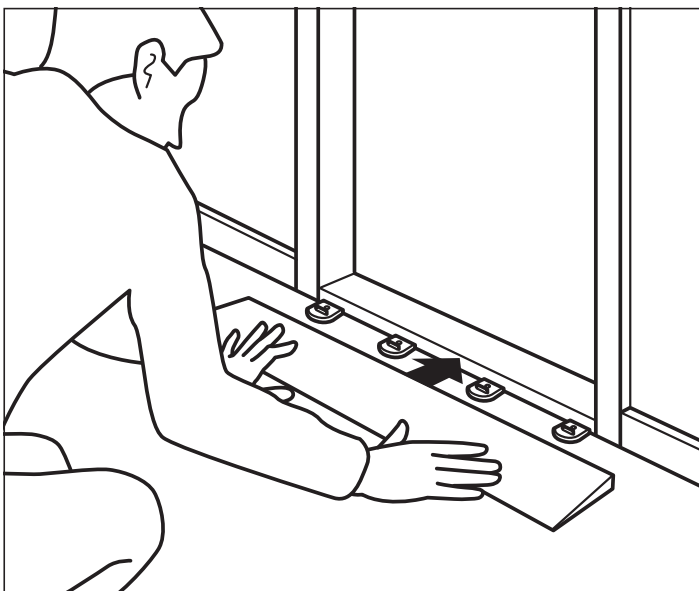
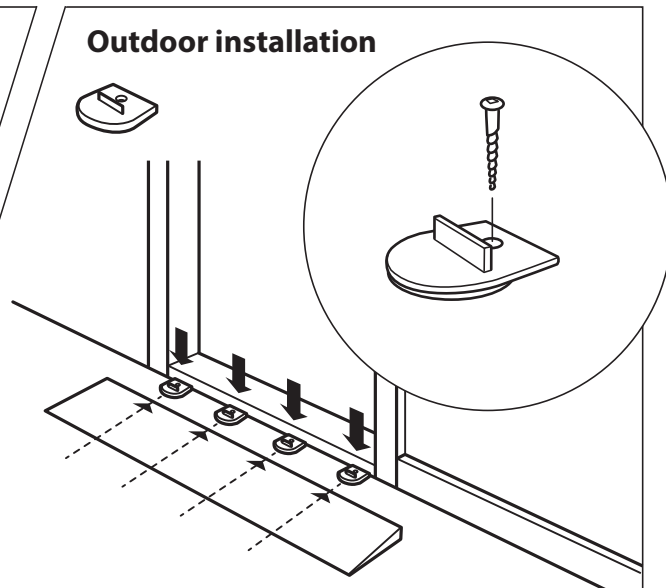
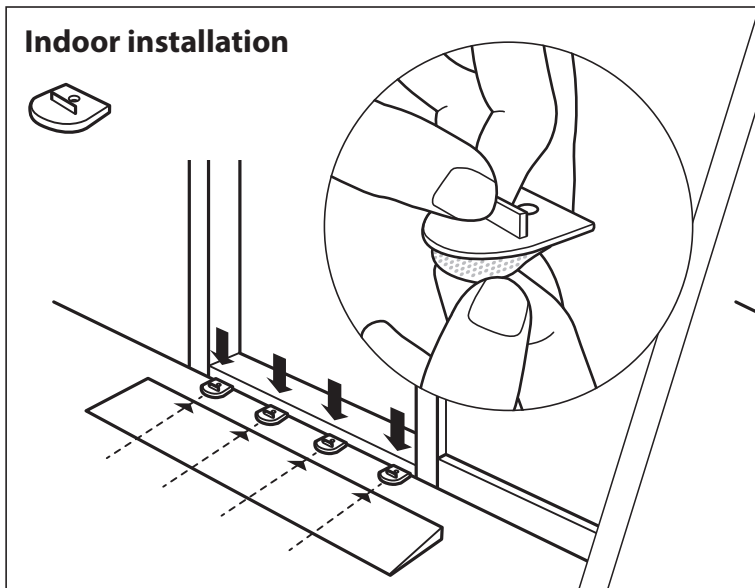


Maxi load:
1000 kg.

10 mm → ↕



INSTALLATION GUIDE QUICKRAMP



Dismantling

